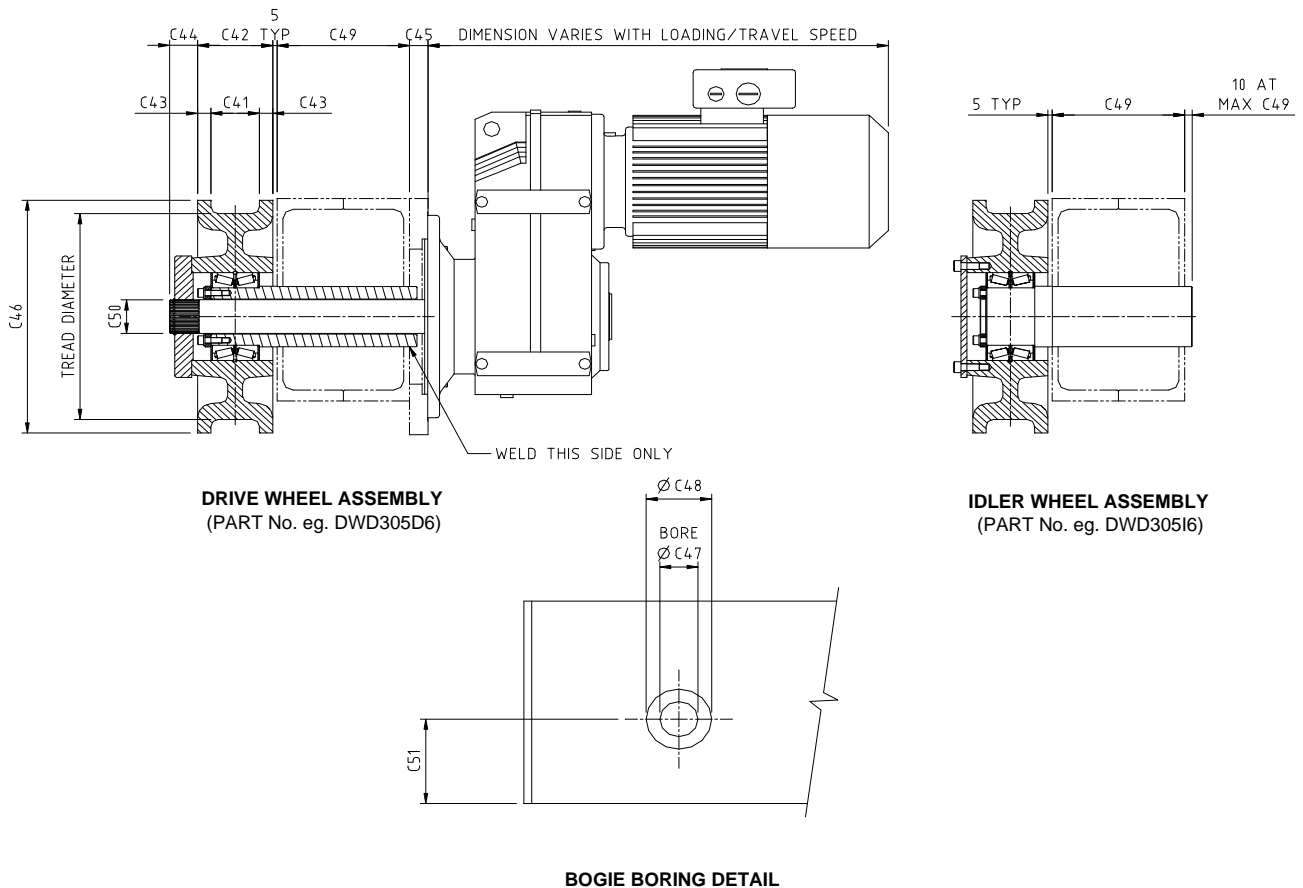


JDN MONOCRANE

DOUBLE FLANGE DIRECT DRIVE WHEELS

JDN MONOCRANE Double flange ductile iron wheel and precision machined shaft / drive assembly ensure smooth and direct power transfer. Our large range of double flange wheels provide for operation on most types of rail and square bar. The standard configuration consists of a stationary cantilevered axle with shielded anti friction bearings mounted inboard in the wheel. Contact our office for technical assistance regarding drive motor selection for your specific application.



TREAD DIAMETER	TREAD WIDTH		C43	C44	C45	C46	C47	C48	MAX C49	C50	C51		
	C41	C42											
DWD160	50	66	70	86	10	19.5	30	190	32	59	150	30	60
DWD200	66	76	91	104	12.5	24.5	38	235	37	64	150	35	80
DWD250	66	76	91	104	12.5	25	38	290	42	74	180	40	105
DWD305	66	76	110	111	18.5	33	38	345	52	89	180	50	133
DWD380	66	76	103	110	18.5	39	38	430	62	99	200	60	170

* All dimensions in mm and subject to change without notice.

WHEEL No.	WHEEL LOADING/DUTY PER WHEEL (kg)		
	M3/M4	M5/M6	M7/M8
DWD 160	4000	3200	2500
DWD 200	6300	5000	4000
DWD 250	10000	8000	6300
DWD 305	16000	12500	10000
DWD 380	20000	16000	12500

