



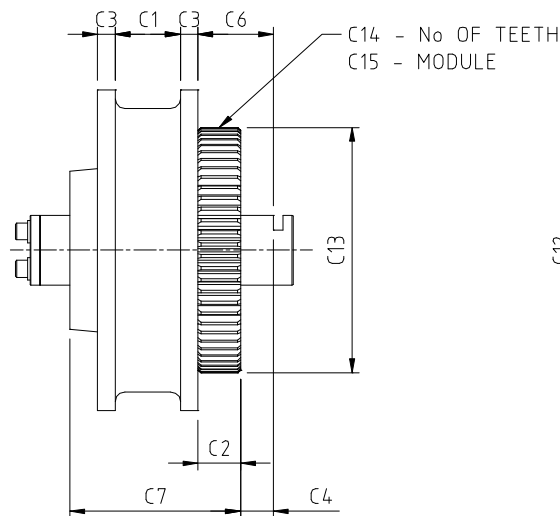
DOUBLE FLANGE PORTAL WHEELS

JDN MONOCRANE DWP Series wheels are manufactured in Ductile Iron, Grade 500-7 (GGG-50), providing a balance between strength, ductility and wear resistance. Featuring shielded bearings and machine cut teeth.

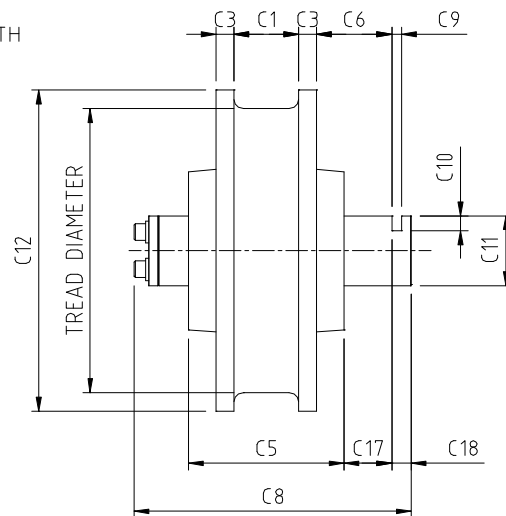
DWP wheels are specifically designed to suit applications where it is preferable for the ring gear to be raised to prevent contamination or fouling on structure. Typical applications include portal cranes and low profile rail applications.

As standard the wheel is fitted with anti-friction bearings mounted inboard in the wheel

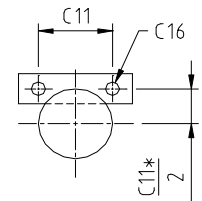
Axle is retained by a lock plate.



GEARED WHEEL
(PART No. eg. DWP305G)



PLAIN WHEEL
(PART No. eg. DWP305P)



* = 26 FOR DWP 150

LOCK PLATE

PART NUMBER	TREAD DIAM.	TREAD WIDTH C1	C2	C3	C4	C5	C6	C7	C8	C9	C10	C11	C12	C13	C14	C15	C16	C17	C18	
DWP150	150	66	-	28	11.5	19.5	125	47.5	135	222	10	10	40	185	153	49	3	M8	29.5	18
DWP200	200	66	76	35	12.5	21.5	135	56.5	148	242	10	16	60	235	189	61	3	M10	34.5	20
DWP250	250	66	76	35.5	12.5	26.5	135	62	148	247	10	16	60	290	219	71	3	M10	39.5	20
DWP305	305	66	76	43	18.5	33	158	76	173	281	10	16	75	345	264	64	4	M12	48	20
DWP380	380	66	76	43	18.5	34.5	157	77.5	173	309	16	20	95	430	340	66	5	M16	49.5	30
DWP500	500	76	90	45	22	38.5	164	83.5	187	329	16	20	95	550	460	90	5	M16	61.5	30
DWP630	630	80	100	48	22.5	40.5	185	88.5	203	351	16	20	100	690	610	120	5	M16	58.5	30
DWP800	800	130	100	48	30	40.5	220	88.5	248	397	16	20	120	870	792	130	6	M20	58.5	34

* All dimensions in mm and subject to change without notice.

PART NUMBER	WHEEL LOADING/DUTY PER WHEEL (kg)		
	M3/M4	M5/M6	M7/M8
DWP150	2500	2000	1600
DWP200	6300	5000	4000
DWP250	10000	8000	6300
DWP305	16000	12500	10000
DWP380	20000	16000	12500
DWP500	32000	25000	20000
DWP630	40000	32000	25000
DWP800	63000	50000	40000