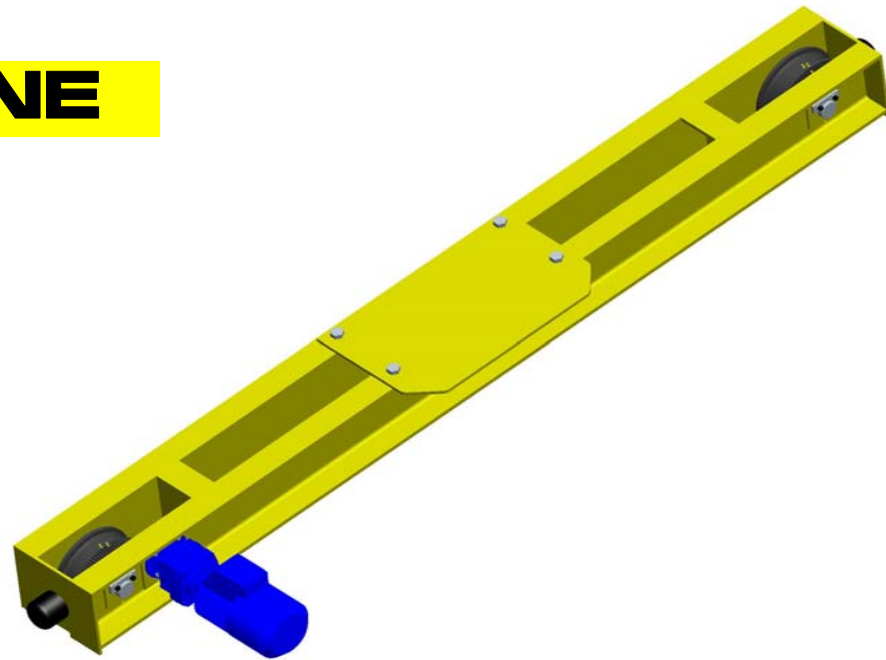


JDN MONOCRANE



SG END CARRIAGES 2-SPEED 40m/min C4M4 66mm TREAD

ETS15-ETS38 SUITS MAX RAIL HEAD = 50mm

ETS50 SUITS MAX RAIL HEAD = 75mm

t SPAN (m)

6

7

8

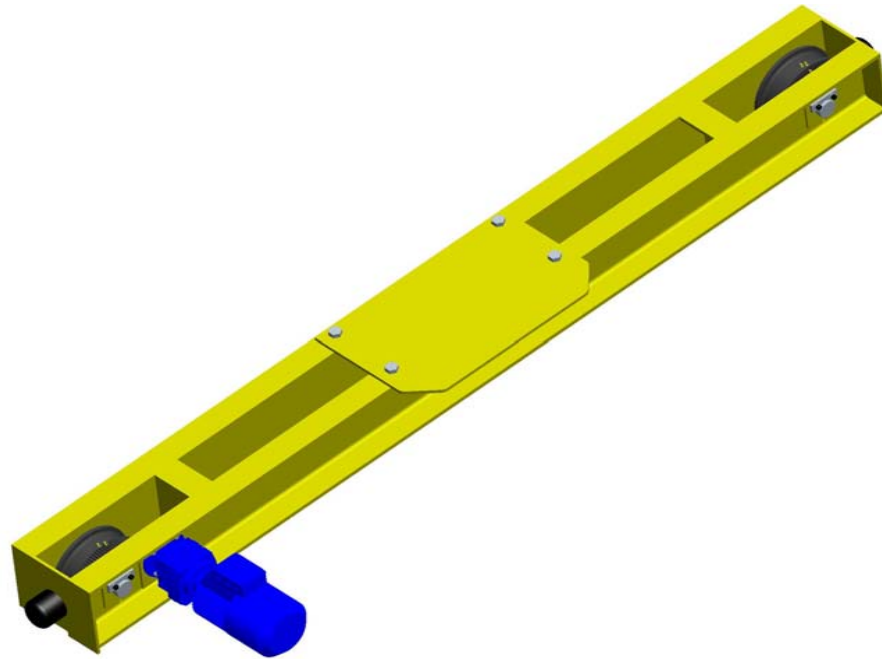
9

10

1	ETS156-1-10.15-120-003F-20C	ETS156-1-10.15-120-003F-20C	ETS156-1-10.15-120-003F-20C	ETS156-1-10.15-120-003F-20C	ETS156-1-10.15-120-003F-20C
2	ETS156-1-10.15-120-003F-20C	ETS156-1-10.15-120-003F-20C	ETS156-1-10.15-120-003F-20C	ETS156-1-10.15-120-003F-20C	ETS156-1-10.15-120-003F-20C
3.2	ETS156-1-10.15-120-003F-20C	ETS156-1-10.15-120-003F-20C	ETS156-1-10.15-120-003F-20C	ETS156-1-10.15-120-003F-20C	ETS156-1-10.15-120-004F-20C
5	ETS206-1-10.15-120-004F-20C	ETS206-1-10.15-120-004F-20C	ETS206-1-10.15-120-004F-20C	ETS206-1-10.15-120-004F-20C	ETS206-1-10.15-120-004F-20C
6.3	ETS206-1-10.15-120-006F-21C	ETS206-1-10.15-120-006F-21C	ETS206-1-10.15-120-006F-21C	ETS206-1-10.15-120-006F-21C	ETS206-1-10.15-120-006F-21C
8	ETS206-1-10.15-120-006F-21C	ETS206-1-10.15-120-006F-21C	ETS206-1-10.15-120-006F-21C	ETS206-1-10.15-120-006F-21C	ETS206-1-10.15-120-006F-21C
10	ETS206-3-10.11-160-009F-26P	ETS206-3-10.11-160-009F-26P	ETS206-3-10.11-160-009F-26P	ETS206-3-10.11-160-009F-26P	ETS206-3-10.11-160-009F-26P
12.5	ETS256-3-10.11-160-009F-26C	ETS256-3-10.11-160-009F-26C	ETS256-3-10.11-160-009F-26C	ETS256-3-10.11-160-009F-26C	ETS256-3-10.11-160-009F-26C
16	ETS256-3-10.11-160-013F-29P	ETS256-3-10.11-160-013F-29P	ETS256-3-10.11-160-013F-29P	ETS256-3-10.11-160-013F-29P	ETS256-3-10.11-160-013F-29P
20	ETS306-3-13.25-160-013F-30P	ETS306-3-13.25-160-013F-30P	ETS306-3-13.25-160-013F-30P	ETS306-3-13.25-160-013F-30P	ETS306-3-13.25-160-013F-30P
25	ETS306-3-13.25-160-018F-32P	ETS306-3-13.25-160-018F-32P	ETS306-3-13.25-160-018F-32P	ETS306-3-13.25-160-018F-32P	ETS306-3-13.25-160-018F-32P
32	ETS386-4-16.22-160-024F-32P	ETS386-4-16.22-160-024F-32P	ETS386-4-16.22-160-024F-32P	ETS386-4-16.22-160-024F-32P	ETS386-4-16.22-160-024F-32P

MIN CLEARANCE BELOW RAIL HEAD - ETS15 = 30mm
 ETS20 = 30mm
 ETS25 = 35mm
 ETS30 = 35mm
 ETS38 = 40mm
 ETS50 = 40mm

* NOTE: IF INSUFFICIENT CLEARANCE EXISTS BELOW RAIL HEAD PLEASE REFER TO OUR DWP WHEEL RANGE



t SPAN (m)

11

12

13

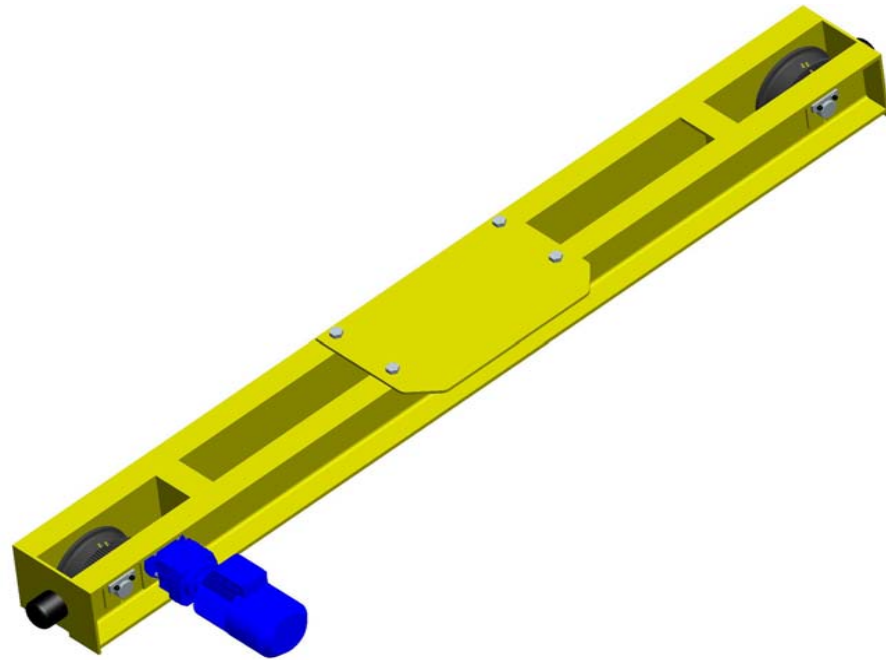
14

15

1	ETS156-1-10.15-120-003F-20C	ETS156-1-10.15-120-003F-20C	ETS156-1-10.15-120-003F-20C	ETS156-1-10.15-120-003F-20C	ETS156-1-10.15-120-003F-22C
2	ETS156-1-10.15-120-003F-20C	ETS156-1-10.15-120-003F-20C	ETS156-1-10.15-120-003F-20C	ETS156-1-10.15-120-003F-20C	ETS156-1-10.15-120-003F-22C
3.2	ETS156-1-10.15-120-004F-20C	ETS156-1-10.15-120-004F-20C	ETS156-1-10.15-120-004F-20C	ETS156-1-10.15-120-004F-20C	ETS156-1-10.15-120-004F-22C
5	ETS206-1-10.15-120-004F-20C	ETS206-1-10.15-120-004F-20C	ETS206-1-10.15-120-004F-20C	ETS206-1-10.15-120-004F-20C	ETS206-1-10.15-120-004F-22C
6.3	ETS206-1-10.15-120-006F-21C	ETS206-1-10.15-120-006F-21C	ETS206-1-10.15-120-006F-21C	ETS206-1-10.15-120-006F-21C	ETS206-1-10.15-120-006F-22C
8	ETS206-1-10.15-120-006F-21C	ETS206-1-10.15-120-006F-21C	ETS206-1-10.15-120-006F-21C	ETS206-1-10.15-120-006F-21P	ETS206-3-10.11-160-009F-22P
10	ETS206-3-10.11-160-009F-26P	ETS206-3-10.11-160-009F-26P	ETS206-3-10.11-160-009F-26P	ETS206-3-10.11-160-009F-26P	ETS206-3-10.11-160-009F-26P
12.5	ETS256-3-10.11-160-009F-26C	ETS256-3-10.11-160-009F-26C	ETS256-3-10.11-160-009F-26C	ETS256-3-10.11-160-009F-26C	ETS256-3-10.11-160-009F-26C
16	ETS256-3-10.11-160-013F-29P	ETS256-3-10.11-160-013F-29P	ETS256-3-10.11-160-013F-29P	ETS256-3-10.11-160-013F-29P	ETS256-3-10.11-160-013F-29P
20	ETS306-3-13.25-160-018F-30P	ETS306-3-13.25-160-018F-30P	ETS306-3-13.25-160-018F-30P	ETS306-3-13.25-160-018F-30P	ETS306-3-13.25-160-018F-30P
25	ETS306-3-13.25-160-018F-32P	ETS306-3-13.25-160-018F-32P	ETS306-3-13.25-160-018F-32P	ETS306-3-13.25-160-018F-32P	ETS306-3-13.25-160-018F-32P
32	ETS386-4-16.22-160-024F-32P	ETS386-4-16.22-160-024F-32P	ETS386-4-16.22-160-024F-32P	ETS386-4-16.22-160-024F-32P	ETS386-4-16.22-160-024F-32P

MIN CLEARANCE BELOW RAIL HEAD - ETS15 = 30mm
ETS20 = 30mm
ETS25 = 35mm
ETS30 = 35mm
ETS38 = 40mm
ETS50 = 40mm

* NOTE: IF INSUFFICIENT CLEARANCE EXISTS BELOW RAIL HEAD PLEASE REFER TO OUR DWP WHEEL RANGE



t SPAN (m)

16

17

18

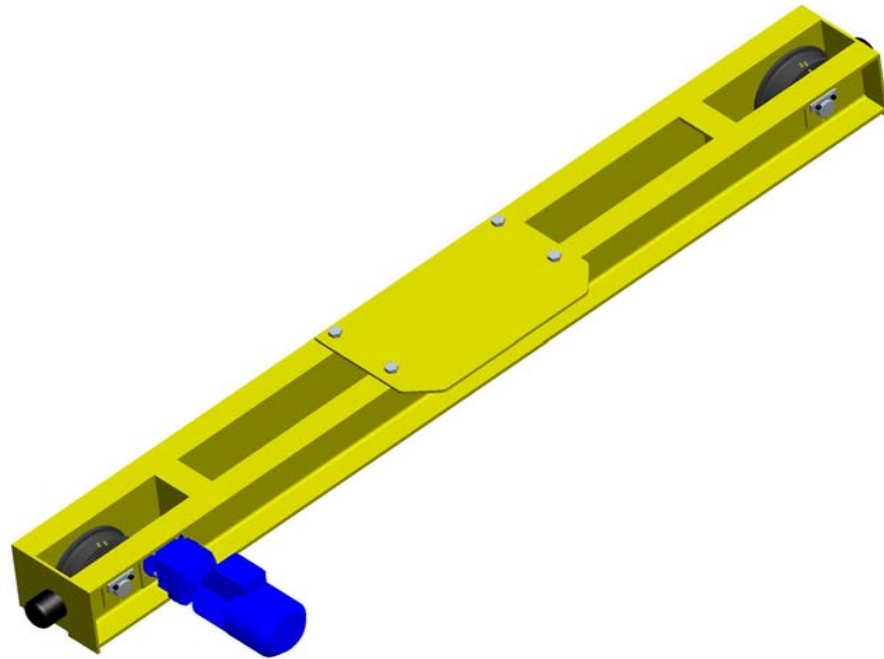
19

20

1	ETS156-1-10.15-120-003F-23C	ETS156-1-10.15-120-003F-25C	ETS156-1-10.15-120-003F-26C	ETS156-1-10.15-120-003F-28C	ETS156-1-10.15-120-003F-29C
2	ETS156-1-10.15-120-003F-23C	ETS156-1-10.15-120-003F-25C	ETS156-1-10.15-120-003F-26C	ETS156-1-10.15-120-003F-28C	ETS156-1-10.15-120-004F-29C
3.2	ETS156-1-10.15-120-004F-23C	ETS156-1-10.15-120-004F-25C	ETS156-1-10.15-120-004F-26C	ETS206-1-10.15-120-004F-28C	ETS206-1-10.15-120-004F-29C
5	ETS206-1-10.15-120-006F-23C	ETS206-1-10.15-120-006F-25C	ETS206-1-10.15-120-006F-26C	ETS206-1-10.15-120-006F-28C	ETS206-1-10.15-120-006F-29C
6.3	ETS206-1-10.15-120-006F-23C	ETS206-1-10.15-120-006F-25C	ETS206-1-10.15-120-006F-26C	ETS206-1-10.15-120-006F-28C	ETS206-1-10.15-120-006F-29C
8	ETS206-3-10.11-160-009F-23P	ETS206-3-10.11-160-009F-25P	ETS206-3-10.11-160-009F-26P	ETS206-3-10.11-160-009F-28P	ETS206-3-10.11-160-009F-29P
10	ETS206-3-10.11-160-009F-26P	ETS206-3-10.11-160-009F-26P	ETS206-3-10.11-160-009F-26P	ETS256-3-10.11-160-009F-28C	ETS256-3-10.11-160-009F-29C
12.5	ETS256-3-10.11-160-013F-26C	ETS256-3-10.11-160-013F-26C	ETS256-3-10.11-160-013F-26C	ETS256-3-10.11-160-013F-28C	ETS256-3-10.11-160-013F-29C
16	ETS256-3-10.11-160-013F-29P	ETS256-3-10.11-160-013F-29P	ETS256-3-10.11-160-013F-29P	ETS256-3-10.11-160-013F-29P	ETS256-3-10.11-160-013F-29P
20	ETS306-3-13.25-160-018F-30P	ETS306-3-13.25-160-018F-30P	ETS306-3-13.25-160-018F-30P	ETS306-3-13.25-160-018F-30P	ETS306-3-13.25-160-018F-30P
25	ETS306-3-13.25-160-018F-32P	ETS306-3-13.25-160-018F-32P	ETS306-3-13.25-160-018F-32P	ETS306-4-14.56-160-024F-32P	ETS306-4-14.56-160-024F-32P
32	ETS386-4-16.22-160-024F-32P	ETS386-4-16.22-160-024F-32P	ETS386-4-16.22-160-024F-32P	ETS386-4-16.22-160-024F-32P	ETS386-4-16.22-160-024F-32P

MIN CLEARANCE BELOW RAIL HEAD - ETS15 = 30mm
ETS20 = 30mm
ETS25 = 35mm
ETS30 = 35mm
ETS38 = 40mm
ETS50 = 40mm

* NOTE: IF INSUFFICIENT CLEARANCE EXISTS BELOW RAIL HEAD PLEASE REFER TO OUR DWP WHEEL RANGE



t SPAN (m)

21

22

23

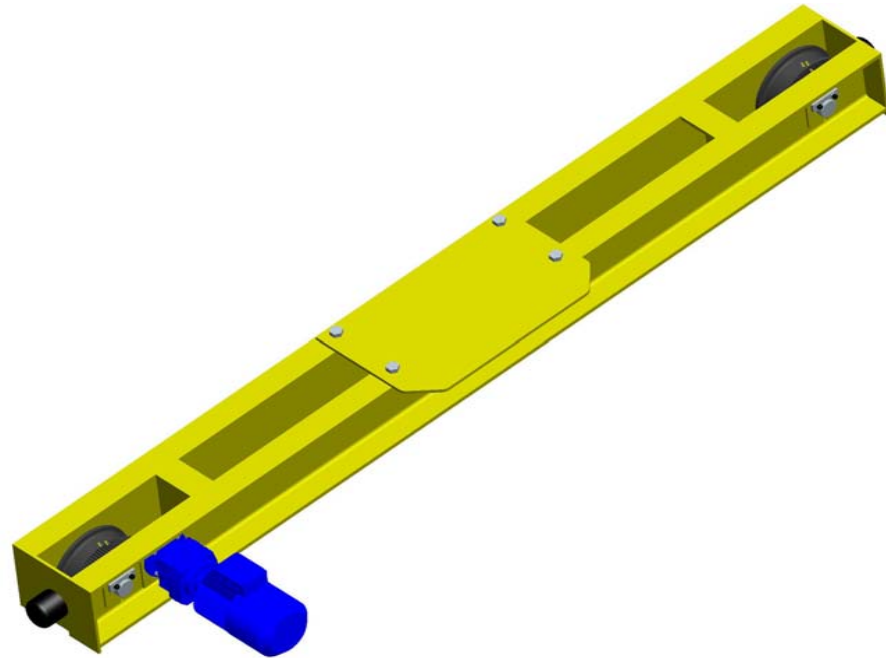
24

25

1	ETS156-1-10.15-120-003F-30C	ETS156-1-10.15-120-003F-32C	ETS156-1-10.15-120-003F-33C	ETS156-1-10.15-120-004F-35P	ETS156-1-10.15-120-004F-36P
2	ETS156-1-10.15-120-004F-30C	ETS156-1-10.15-120-004F-32P	ETS156-1-10.15-120-004F-33P	ETS156-1-10.15-120-004F-35P	ETS156-1-10.15-120-004F-36P
3.2	ETS206-1-10.15-120-004F-30C	ETS206-1-10.15-120-004F-32C	ETS206-1-10.15-120-004F-33C	ETS206-1-10.15-120-006F-35C	ETS206-1-10.15-120-006F-36C
5	ETS206-1-10.15-120-006F-30C	ETS206-1-10.15-120-006F-32C	ETS206-1-10.15-120-006F-33C	ETS206-1-10.15-120-006F-35P	ETS206-1-10.15-120-006F-36P
6.3	ETS206-1-10.15-120-006F-30P	ETS206-1-10.15-120-006F-32P	ETS206-3-10.11-160-009F-33P	ETS206-3-10.11-160-009F-35P	ETS206-3-10.11-160-009F-36P
8	ETS206-3-10.11-160-009F-30P	ETS206-3-10.11-160-009F-32P	ETS206-3-10.11-160-009F-33P	ETS206-3-10.11-160-009F-35P	ETS256-3-10.11-160-009F-36C
10	ETS256-3-10.11-160-009F-30C	ETS256-3-10.11-160-009F-32C	ETS256-3-10.11-160-009F-33C	ETS256-3-10.11-160-009F-35C	ETS256-3-10.11-160-013F-36P
12.5	ETS256-3-10.11-160-013F-30C	ETS256-3-10.11-160-013F-32P	ETS256-3-10.11-160-013F-33P	ETS256-3-10.11-160-013F-35P	ETS256-3-10.11-160-013F-36P
16	ETS306-3-13.25-160-013F-30C	ETS306-3-13.25-160-013F-32P	ETS306-3-13.25-160-013F-33P	ETS306-3-13.25-160-013F-35P	ETS306-3-13.25-160-018F-36P
20	ETS306-3-13.25-160-018F-30P	ETS306-3-13.25-160-018F-32P	ETS306-3-13.25-160-018F-33P	ETS306-3-13.25-160-018F-35P	ETS306-3-13.25-160-018F-36P
25	ETS306-4-14.56-160-024F-32P	ETS306-4-14.56-160-024F-32P	ETS306-4-14.56-160-024F-33P	ETS386-4-16.22-160-024F-35P	ETS386-4-16.22-160-024F-36P
32	ETS386-4-16.22-160-024F-32P	ETS386-4-16.22-160-024F-32P	ETS386-5-18.60-200-030F-33P	ETS507-5-18.60-200-030F-35P	ETS507-5-18.60-200-030F-36P

MIN CLEARANCE BELOW RAIL HEAD - ETS15 = 30mm
ETS20 = 30mm
ETS25 = 35mm
ETS30 = 35mm
ETS38 = 40mm
ETS50 = 40mm

* NOTE: IF INSUFFICIENT CLEARANCE EXISTS BELOW RAIL HEAD PLEASE REFER TO OUR DWP WHEEL RANGE



t SPAN (m)

26

27

28

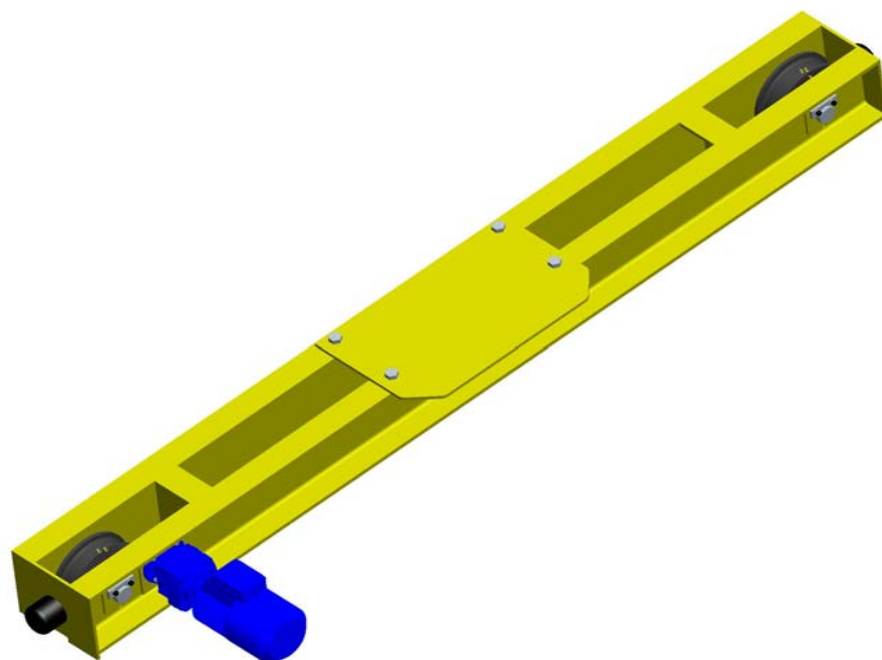
29

30

1	ETS156-1-10.15-120-004F-38P	ETS156-1-10.15-120-004F-39P	ETS156-1-10.15-120-004F-40P	ETS156-1-10.15-120-004F-42P	ETS156-1-10.15-120-004F-43P
2	ETS156-1-10.15-120-004F-38P	ETS156-1-10.15-120-004F-39P	ETS156-1-10.15-120-004F-40P	ETS206-1-10.15-120-006F-42P	ETS206-1-10.15-120-006F-43P
3.2	ETS206-1-10.15-120-006F-38P	ETS206-1-10.15-120-006F-39P	ETS206-1-10.15-120-006F-40P	ETS206-1-10.15-120-006F-42P	ETS206-1-10.15-120-006F-43P
5	ETS206-1-10.15-120-006F-38P	ETS206-1-10.15-120-006F-39P	ETS206-3-10.11-160-009F-40P	ETS206-3-10.11-160-009F-42P	ETS206-3-10.11-160-009F-43P
6.3	ETS206-3-10.11-160-009F-38P	ETS206-3-10.11-160-009F-39P	ETS206-3-10.11-160-009F-40P	ETS206-3-10.11-160-009F-42P	ETS206-3-10.11-160-009F-43P
8	ETS256-3-10.11-160-009F-38C	ETS256-3-10.11-160-009F-39C	ETS256-3-10.11-160-009F-40P	ETS256-3-10.11-160-009F-42P	ETS256-3-10.11-160-013F-43P
10	ETS256-3-10.11-160-013F-38P	ETS256-3-10.11-160-013F-39P	ETS256-3-10.11-160-013F-40P	ETS256-3-10.11-160-013F-42P	ETS256-3-10.11-160-013F-43P
12.5	ETS256-3-10.11-160-013F-38P	ETS256-3-10.11-160-013F-39P	ETS256-3-10.11-160-013F-40P	ETS256-3-10.11-160-013F-42P	ETS256-3-10.11-160-013F-43P
16	ETS306-3-13.25-160-018F-38P	ETS306-3-13.25-160-018F-39P	ETS306-3-13.25-160-018F-40P	ETS306-3-13.25-160-018F-42P	ETS306-3-13.25-160-018F-43P
20	ETS306-3-13.25-160-018F-38P	ETS306-3-13.25-160-018F-39P	ETS306-3-13.25-160-018F-40P	ETS306-3-13.25-160-018F-42P	ETS306-3-13.25-160-018F-43P
25	ETS386-4-16.22-160-024F-38P	ETS386-4-16.22-160-024F-39P	ETS386-4-16.22-160-024F-40P	ETS386-4-16.22-160-024F-42P	ETS386-4-16.22-160-024F-43P
32	ETS507-5-18.60-200-030F-38P	ETS507-5-18.60-200-030F-39P	ETS507-5-18.60-200-030F-40P	ETS507-5-18.60-200-030F-42P	ETS507-5-18.60-200-030F-43P

MIN CLEARANCE BELOW RAIL HEAD - ETS15 = 30mm
ETS20 = 30mm
ETS25 = 35mm
ETS30 = 35mm
ETS38 = 40mm
ETS50 = 40mm

* NOTE: IF INSUFFICIENT CLEARANCE EXISTS BELOW RAIL HEAD PLEASE REFER TO OUR DWP WHEEL RANGE



t SPAN (m)

31

32

1	ETS156-1-10.15-120-004F-45P	ETS156-1-10.15-120-004F-46P
2	ETS206-1-10.15-120-006F-45P	ETS206-1-10.15-120-006F-46P
3.2	ETS206-1-10.15-120-006F-45P	ETS206-1-10.15-120-006F-46P
5	ETS206-3-10.11-160-009F-45P	ETS256-3-10.11-160-009F-46P
6.3	ETS206-3-10.11-160-009F-45P	ETS256-3-10.11-160-009F-46P
8	ETS256-3-10.11-160-013F-45P	ETS256-3-10.11-160-013F-46P
10	ETS256-3-10.11-160-013F-45P	ETS256-3-10.11-160-013F-46P
12.5	ETS256-3-10.11-160-013F-45P	ETS256-3-10.11-160-013F-46P
16	ETS306-3-13.25-160-018F-45P	ETS306-3-13.25-160-018F-46P
20	ETS306-4-14.56-160-024F-45P	ETS306-4-14.56-160-024F-46P
25	ETS386-4-16.22-160-024F-45P	ETS386-4-16.22-160-024F-46P
32	ETS507-5-18.60-200-030F-45P	ETS507-5-18.60-200-030F-46P

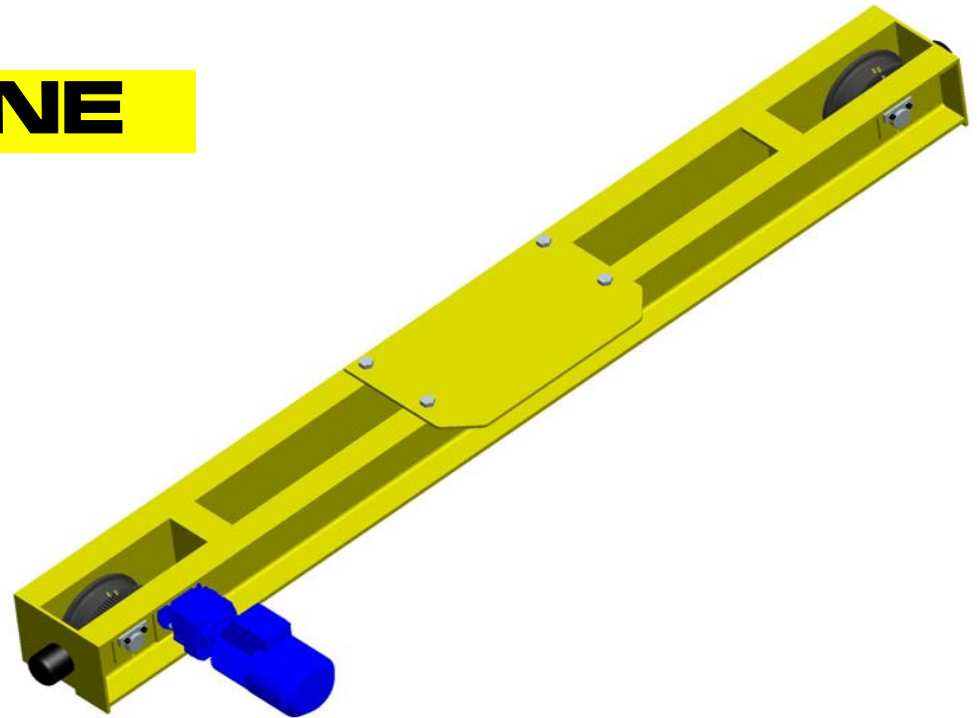
MIN CLEARANCE BELOW RAIL HEAD - ETS15 = 30mm
 ETS20 = 30mm
 ETS25 = 35mm
 ETS30 = 35mm
 ETS38 = 40mm
 ETS50 = 40mm

* NOTE: IF INSUFFICIENT CLEARANCE EXISTS BELOW RAIL HEAD PLEASE REFER TO OUR DWP WHEEL RANGE

JDN MONOCRANE

SG END CARRIAGES 2-SPEED 40m/min C4M4 76mm TREAD

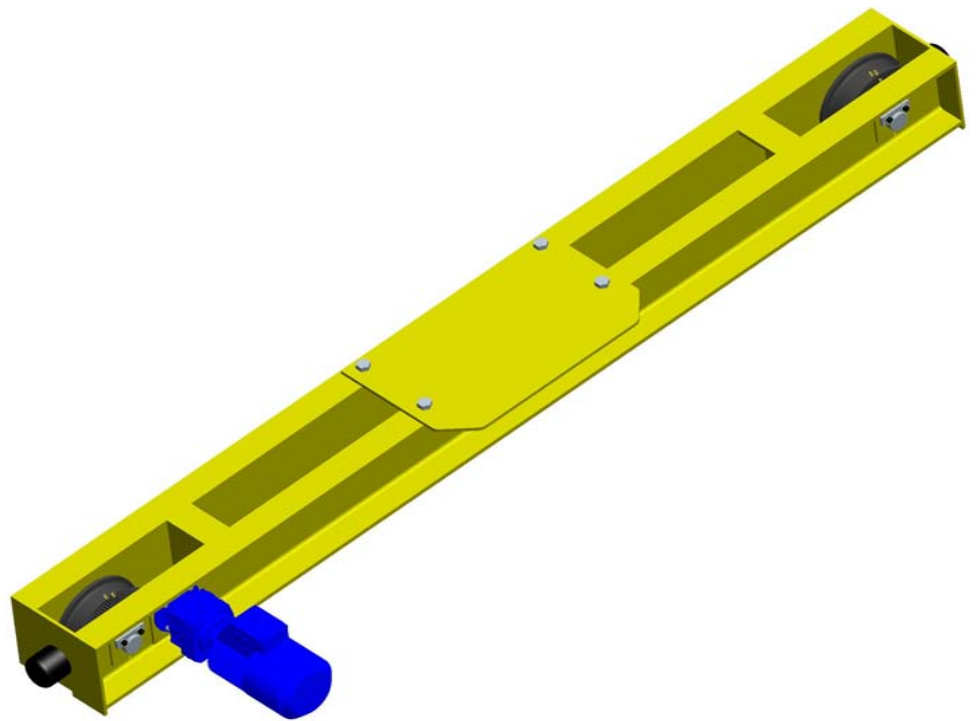
ETS20 - ETS38 SUITS MAX RAIL HEAD = 63mm
ETS50 SUITS MAX RAIL HEAD = 75mm



t	SPAN (m)				
	6	7	8	9	10
1	N/A	N/A	N/A	N/A	N/A
2	N/A	N/A	N/A	N/A	N/A
3.2	N/A	N/A	N/A	N/A	N/A
5	ETS207-1-10.15-120-004F-20C	ETS207-1-10.15-120-004F-20C	ETS207-1-10.15-120-004F-20C	ETS207-1-10.15-120-004F-20C	ETS207-1-10.15-120-004F-20C
6.3	ETS207-1-10.15-120-006F-21C	ETS207-1-10.15-120-006F-21C	ETS207-1-10.15-120-006F-21C	ETS207-1-10.15-120-006F-21C	ETS207-1-10.15-120-006F-21C
8	ETS207-1-10.15-120-006F-21C	ETS207-1-10.15-120-006F-21C	ETS207-1-10.15-120-006F-21C	ETS207-1-10.15-120-006F-21C	ETS207-1-10.15-120-006F-21C
10	ETS207-3-10.11-160-009F-26P	ETS207-3-10.11-160-009F-26P	ETS207-3-10.11-160-009F-26P	ETS207-3-10.11-160-009F-26P	ETS207-3-10.11-160-009F-26P
12.5	ETS257-3-10.11-160-009F-26C	ETS257-3-10.11-160-009F-26C	ETS257-3-10.11-160-009F-26C	ETS257-3-10.11-160-009F-26C	ETS257-3-10.11-160-009F-26C
16	ETS257-3-10.11-160-013F-29P	ETS257-3-10.11-160-013F-29P	ETS257-3-10.11-160-013F-29P	ETS257-3-10.11-160-013F-29P	ETS257-3-10.11-160-013F-29P
20	ETS307-3-13.25-160-013F-30P	ETS307-3-13.25-160-013F-30P	ETS307-3-13.25-160-013F-30P	ETS307-3-13.25-160-013F-30P	ETS307-3-13.25-160-013F-30P
25	ETS307-3-13.25-160-018F-32P	ETS307-3-13.25-160-018F-32P	ETS307-3-13.25-160-018F-32P	ETS307-3-13.25-160-018F-32P	ETS307-3-13.25-160-018F-32P
32	ETS387-4-16.22-160-024F-32P	ETS387-4-16.22-160-024F-32P	ETS387-4-16.22-160-024F-32P	ETS387-4-16.22-160-024F-32P	ETS387-4-16.22-160-024F-32P

MIN CLEARANCE BELOW RAIL HEAD - ETS15 = 30mm
ETS20 = 30mm
ETS25 = 35mm
ETS30 = 35mm
ETS38 = 40mm
ETS50 = 40mm

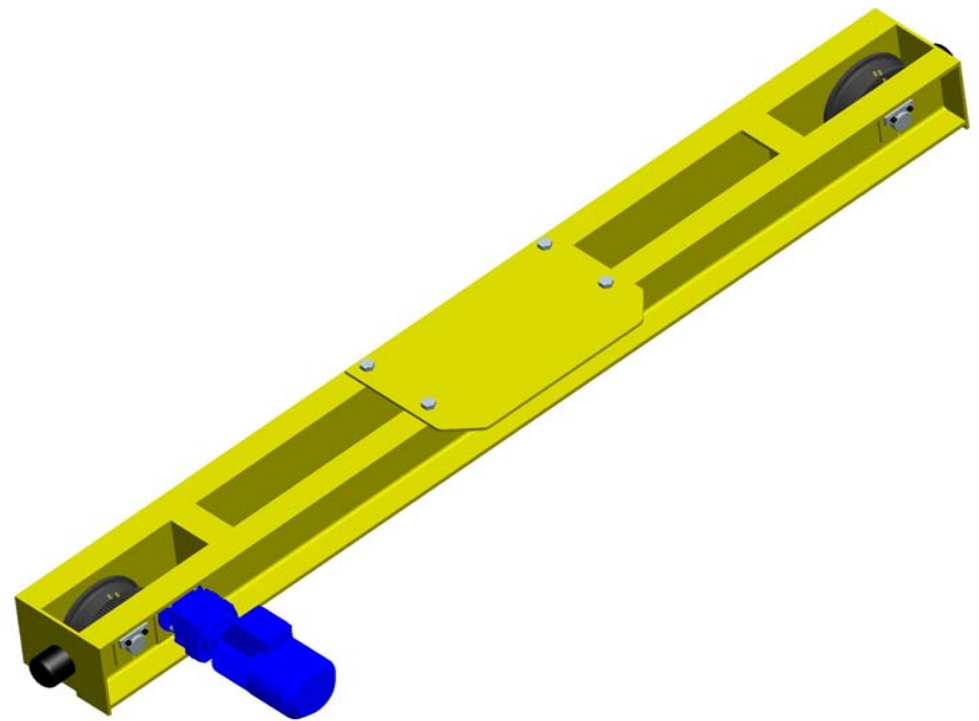
* NOTE: IF INSUFFICIENT CLEARANCE EXISTS BELOW RAIL HEAD PLEASE REFER TO OUR DWP WHEEL RANGE



t	SPAN (m)				
	11	12	13	14	15
1	N/A	N/A	N/A	N/A	N/A
2	N/A	N/A	N/A	N/A	N/A
3.2	N/A	N/A	N/A	N/A	N/A
5	ETS207-1-10.15-120-004F-20C	ETS207-1-10.15-120-004F-20C	ETS207-1-10.15-120-004F-20C	ETS207-1-10.15-120-004F-20C	ETS207-1-10.15-120-004F-22C
6.3	ETS207-1-10.15-120-006F-21C	ETS207-1-10.15-120-006F-21C	ETS207-1-10.15-120-006F-21C	ETS207-1-10.15-120-006F-21C	ETS207-1-10.15-120-006F-22C
8	ETS207-1-10.15-120-006F-21C	ETS207-1-10.15-120-006F-21C	ETS207-1-10.15-120-006F-21C	ETS207-1-10.15-120-006F-21P	ETS207-3-10.11-160-009F-22P
10	ETS207-3-10.11-160-009F-26P	ETS207-3-10.11-160-009F-26P	ETS207-3-10.11-160-009F-26P	ETS207-3-10.11-160-009F-26P	ETS207-3-10.11-160-009F-26P
12.5	ETS257-3-10.11-160-009F-26C	ETS257-3-10.11-160-009F-26C	ETS257-3-10.11-160-009F-26C	ETS257-3-10.11-160-009F-26C	ETS257-3-10.11-160-009F-26C
16	ETS257-3-10.11-160-013F-29P	ETS257-3-10.11-160-013F-29P	ETS257-3-10.11-160-013F-29P	ETS257-3-10.11-160-013F-29P	ETS257-3-10.11-160-013F-29P
20	ETS307-3-13.25-160-013F-30P	ETS307-3-13.25-160-018F-30P	ETS307-3-13.25-160-018F-30P	ETS307-3-13.25-160-018F-30P	ETS307-3-13.25-160-018F-30P
25	ETS307-3-13.25-160-018F-32P	ETS307-3-13.25-160-018F-32P	ETS307-3-13.25-160-018F-32P	ETS307-3-13.25-160-018F-32P	ETS307-3-13.25-160-018F-32P
32	ETS387-4-16.22-160-024F-32P	ETS387-4-16.22-160-024F-32P	ETS387-4-16.22-160-024F-32P	ETS387-4-16.22-160-024F-32P	ETS387-4-16.22-160-024F-32P

MIN CLEARANCE BELOW RAIL HEAD - ETS15 = 30mm
ETS20 = 30mm
ETS25 = 35mm
ETS30 = 35mm
ETS38 = 40mm
ETS50 = 40mm

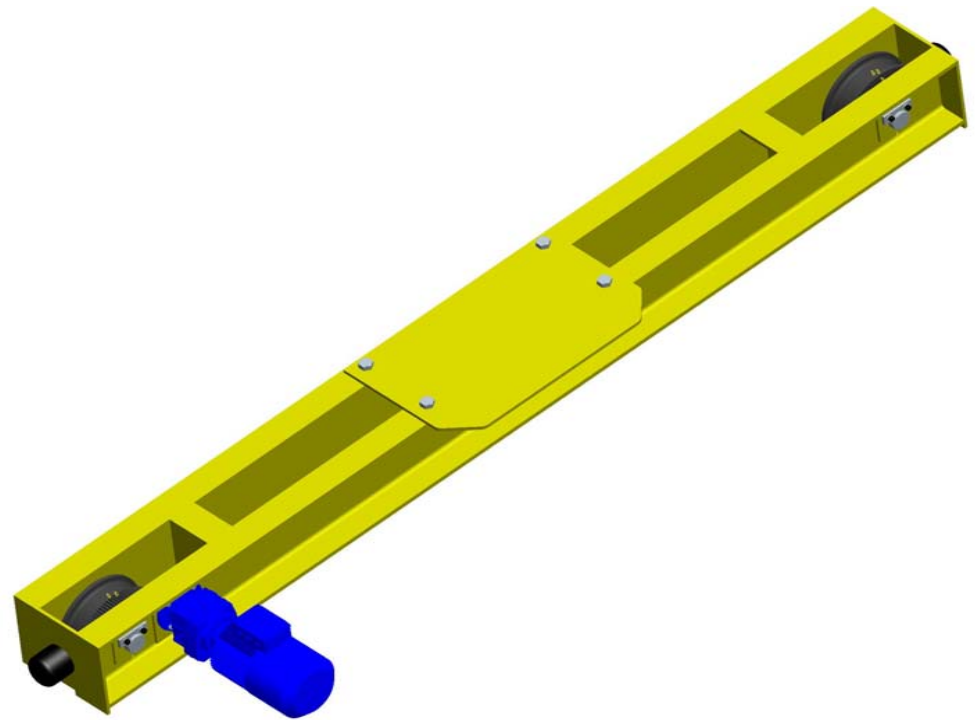
* NOTE: IF INSUFFICIENT CLEARANCE EXISTS BELOW RAIL HEAD PLEASE REFER TO OUR DWP WHEEL RANGE



t	SPAN (m)				
	16	17	18	19	20
1	N/A	N/A	N/A	N/A	N/A
2	N/A	N/A	N/A	N/A	N/A
3.2	N/A	N/A	N/A	ETS207-1-10.15-120-004F-28C	ETS207-1-10.15-120-004F-29C
5	ETS207-1-10.15-120-006F-23C	ETS207-1-10.15-120-006F-25C	ETS207-1-10.15-120-006F-26C	ETS207-1-10.15-120-006F-28C	ETS207-1-10.15-120-006F-29C
6.3	ETS207-1-10.15-120-006F-23C	ETS207-1-10.15-120-006F-25C	ETS207-1-10.15-120-006F-26C	ETS207-1-10.15-120-006F-28C	ETS207-1-10.15-120-006F-29C
8	ETS207-3-10.11-160-009F-23P	ETS207-3-10.11-160-009F-25P	ETS207-3-10.11-160-009F-26P	ETS207-3-10.11-160-009F-28P	ETS207-3-10.11-160-009F-29P
10	ETS207-3-10.11-160-009F-26P	ETS207-3-10.11-160-009F-26P	ETS207-3-10.11-160-009F-26P	ETS257-3-10.11-160-009F-28C	ETS257-3-10.11-160-009F-29C
12.5	ETS257-3-10.11-160-013F-26C	ETS257-3-10.11-160-013F-26C	ETS257-3-10.11-160-013F-26C	ETS257-3-10.11-160-013F-28C	ETS257-3-10.11-160-013F-29C
16	ETS257-3-10.11-160-013F-29P	ETS257-3-10.11-160-013F-29P	ETS257-3-10.11-160-013F-29P	ETS257-3-10.11-160-013F-29P	ETS257-3-10.11-160-013F-29P
20	ETS307-3-13.25-160-018F-30P	ETS307-3-13.25-160-018F-30P	ETS307-3-13.25-160-018F-30P	ETS307-3-13.25-160-018F-30P	ETS307-3-13.25-160-018F-30P
25	ETS307-3-13.25-160-018F-32P	ETS307-3-13.25-160-018F-32P	ETS307-3-13.25-160-018F-32P	ETS307-4-14.56-160-024F-32P	ETS307-4-14.56-160-024F-32P
32	ETS387-4-16.22-160-024F-32P	ETS387-4-16.22-160-024F-32P	ETS387-4-16.22-160-024F-32P	ETS387-4-16.22-160-024F-32P	ETS387-4-16.22-160-024F-32P

MIN CLEARANCE BELOW RAIL HEAD - ETS15 = 30mm
ETS20 = 30mm
ETS25 = 35mm
ETS30 = 35mm
ETS38 = 40mm
ETS50 = 40mm

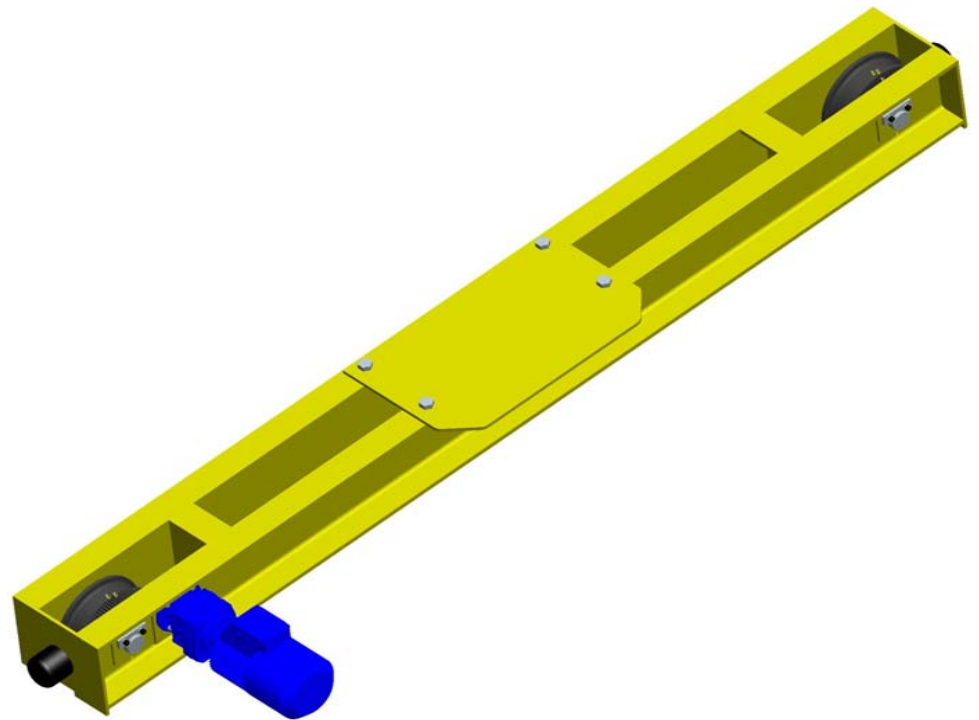
* NOTE: IF INSUFFICIENT CLEARANCE EXISTS BELOW RAIL HEAD PLEASE REFER TO OUR DWP WHEEL RANGE



t	SPAN (m)				
	21	22	23	24	25
1	N/A	N/A	N/A	N/A	N/A
2	N/A	N/A	N/A	N/A	N/A
3.2	ETS207-1-10.15-120-004F-30C	ETS207-1-10.15-120-004F-32C	ETS207-1-10.15-120-004F-33C	ETS207-1-10.15-120-006F-35C	ETS207-1-10.15-120-006F-36C
5	ETS207-1-10.15-120-006F-30C	ETS207-1-10.15-120-006F-32C	ETS207-1-10.15-120-006F-33C	ETS207-1-10.15-120-006F-35P	ETS207-1-10.15-120-006F-36P
6.3	ETS207-1-10.15-120-006F-30P	ETS207-1-10.15-120-006F-32P	ETS207-3-10.11-160-009F-33P	ETS207-3-10.11-160-009F-35P	ETS207-3-10.11-160-009F-36P
8	ETS207-3-10.11-160-009F-30P	ETS207-3-10.11-160-009F-32P	ETS207-3-10.11-160-009F-33P	ETS207-3-10.11-160-009F-35P	ETS257-3-10.11-160-009F-36C
10	ETS257-3-10.11-160-009F-30C	ETS257-3-10.11-160-009F-32C	ETS257-3-10.11-160-009F-33C	ETS257-3-10.11-160-009F-35C	ETS257-3-10.11-160-013F-36P
12.5	ETS257-3-10.11-160-013F-30C	ETS257-3-10.11-160-013F-32P	ETS257-3-10.11-160-013F-33P	ETS257-3-10.11-160-013F-35P	ETS257-3-10.11-160-013F-36P
16	ETS307-3-13.25-160-013F-30C	ETS307-3-13.25-160-013F-32P	ETS307-3-13.25-160-013F-33P	ETS307-3-13.25-160-013F-35P	ETS307-3-13.25-160-018F-36P
20	ETS307-3-13.25-160-018F-30P	ETS307-3-13.25-160-018F-32P	ETS307-3-13.25-160-018F-33P	ETS307-3-13.25-160-018F-35P	ETS307-3-13.25-160-018F-36P
25	ETS307-4-14.56-160-024F-32P	ETS307-4-14.56-160-024F-32P	ETS307-4-14.56-160-024F-33P	ETS387-4-16.22-160-024F-35P	ETS387-4-16.22-160-024F-36P
32	ETS387-4-16.22-160-024F-32P	ETS387-4-16.22-160-024F-32P	ETS387-5-18.60-200-030F-33P	ETS509-5-18.60-200-030F-35P	ETS509-5-18.60-200-030F-36P

MIN CLEARANCE BELOW RAIL HEAD - ETS15 = 30mm
ETS20 = 30mm
ETS25 = 35mm
ETS30 = 35mm
ETS38 = 40mm
ETS50 = 40mm

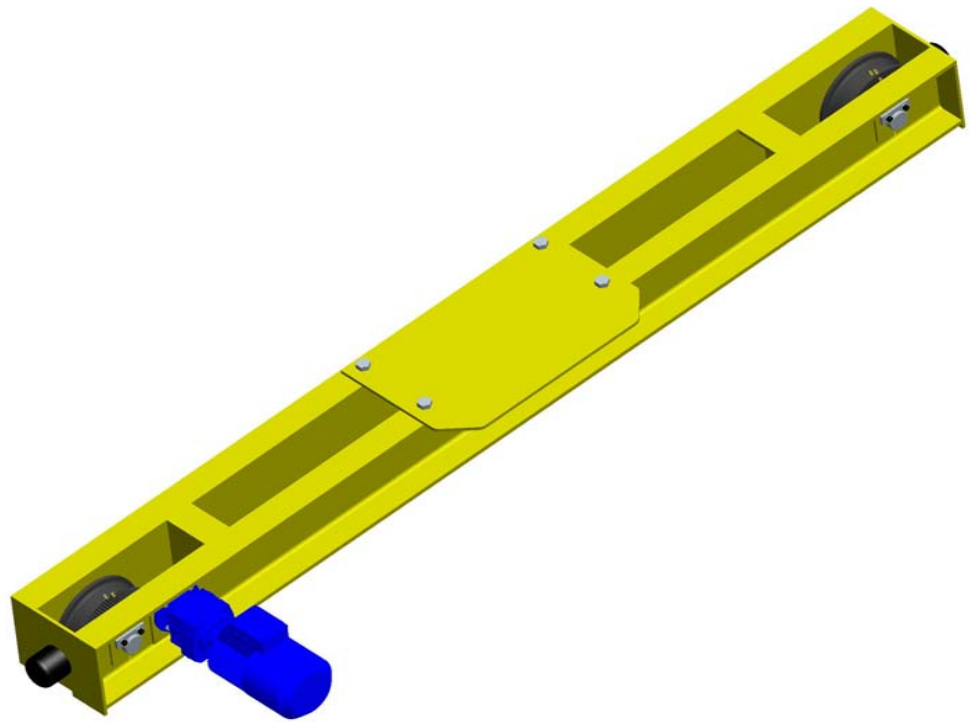
* NOTE: IF INSUFFICIENT CLEARANCE EXISTS BELOW RAIL HEAD PLEASE REFER TO OUR DWP WHEEL RANGE



t	SPAN (m)				
	26	27	28	29	30
1	N/A	N/A	N/A	N/A	N/A
2	N/A	N/A	N/A	ETS207-1-10.15-120-006F-42P	ETS207-1-10.15-120-006F-43P
3.2	ETS207-1-10.15-120-006F-38P	ETS207-1-10.15-120-006F-39P	ETS207-1-10.15-120-006F-40P	ETS207-1-10.15-120-006F-42P	ETS207-1-10.15-120-006F-43P
5	ETS207-1-10.15-120-006F-38P	ETS207-1-10.15-120-006F-39P	ETS207-3-10.11-160-009F-40P	ETS207-3-10.11-160-009F-42P	ETS207-3-10.11-160-009F-43P
6.3	ETS207-3-10.11-160-009F-38P	ETS207-3-10.11-160-009F-39P	ETS207-3-10.11-160-009F-40P	ETS207-3-10.11-160-009F-42P	ETS207-3-10.11-160-009F-43P
8	ETS257-3-10.11-160-009F-38C	ETS257-3-10.11-160-009F-39C	ETS257-3-10.11-160-009F-40P	ETS257-3-10.11-160-009F-42P	ETS257-3-10.11-160-013F-43P
10	ETS257-3-10.11-160-013F-38P	ETS257-3-10.11-160-013F-39P	ETS257-3-10.11-160-013F-40P	ETS257-3-10.11-160-013F-42P	ETS257-3-10.11-160-013F-43P
12.5	ETS257-3-10.11-160-013F-38P	ETS257-3-10.11-160-013F-39P	ETS257-3-10.11-160-013F-40P	ETS257-3-10.11-160-013F-42P	ETS257-3-10.11-160-013F-43P
16	ETS307-3-13.25-160-018F-38P	ETS307-3-13.25-160-018F-39P	ETS307-3-13.25-160-018F-40P	ETS307-3-13.25-160-018F-42P	ETS307-3-13.25-160-018F-43P
20	ETS307-3-13.25-160-018F-38P	ETS307-3-13.25-160-018F-39P	ETS307-3-13.25-160-018F-40P	ETS307-3-13.25-160-018F-42P	ETS307-3-13.25-160-018F-43P
25	ETS387-4-16.22-160-024F-38P	ETS387-4-16.22-160-024F-39P	ETS387-4-16.22-160-024F-40P	ETS387-4-16.22-160-024F-42P	ETS387-4-16.22-160-024F-43P
32	ETS509-5-18.60-200-030F-38P	ETS509-5-18.60-200-030F-39P	ETS509-5-18.60-200-030F-40P	ETS509-5-18.60-200-030F-42P	ETS509-5-18.60-200-030F-43P

MIN CLEARANCE BELOW RAIL HEAD - ETS15 = 30mm
ETS20 = 30mm
ETS25 = 35mm
ETS30 = 35mm
ETS38 = 40mm
ETS50 = 40mm

* NOTE: IF INSUFFICIENT CLEARANCE EXISTS BELOW RAIL HEAD PLEASE REFER TO OUR DWP WHEEL RANGE



t	SPAN (m)	
	31	32
1	N/A	N/A
2	ETS207-1-10.15-120-006F-45P	ETS207-1-10.15-120-006F-46P
3.2	ETS207-1-10.15-120-006F-45P	ETS207-1-10.15-120-006F-46P
5	ETS207-3-10.11-160-009F-45P	ETS257-3-10.11-160-009F-46P
6.3	ETS207-3-10.11-160-009F-45P	ETS257-3-10.11-160-009F-46P
8	ETS257-3-10.11-160-013F-45P	ETS257-3-10.11-160-013F-46P
10	ETS257-3-10.11-160-013F-45P	ETS257-3-10.11-160-013F-46P
12.5	ETS257-3-10.11-160-013F-45P	ETS257-3-10.11-160-013F-46P
16	ETS307-3-13.25-160-018F-45P	ETS307-3-13.25-160-018F-46P
20	ETS307-4-14.56-160-024F-45P	ETS307-4-14.56-160-024F-46P
25	ETS387-4-16.22-160-024F-45P	ETS387-4-16.22-160-024F-46P
32	ETS509-5-18.60-200-030F-45P	ETS509-5-18.60-200-030F-46P

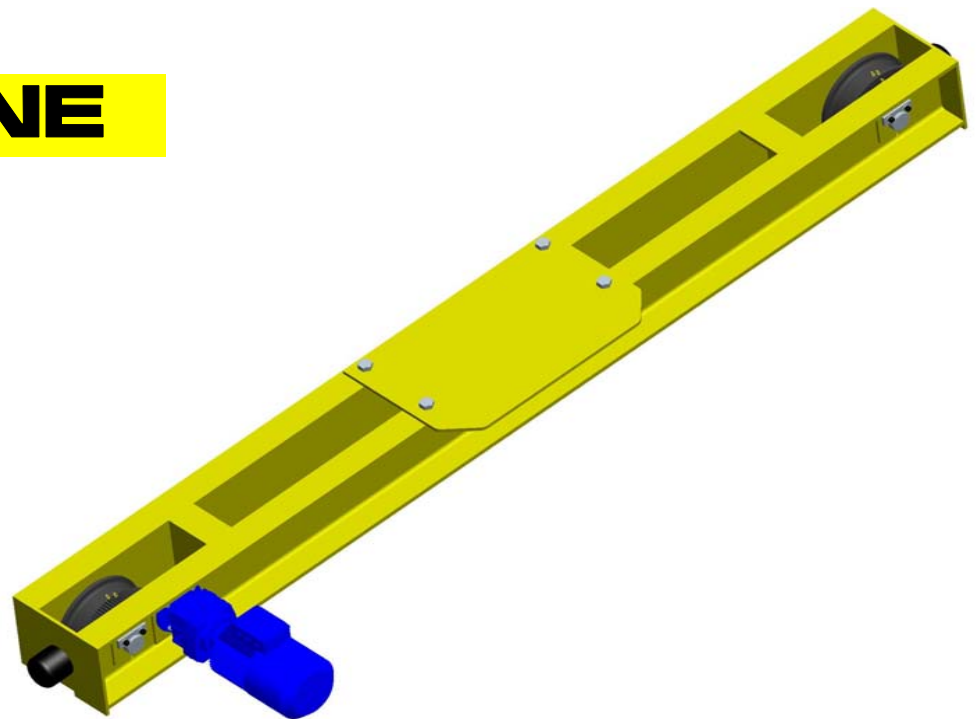
MIN CLEARANCE BELOW RAIL HEAD - ETS15 = 30mm
ETS20 = 30mm
ETS25 = 35mm
ETS30 = 35mm
ETS38 = 40mm
ETS50 = 40mm

* NOTE: IF INSUFFICIENT CLEARANCE EXISTS BELOW RAIL HEAD PLEASE REFER TO OUR DWP WHEEL RANGE

JDN MONOCRANE

SG END CARRIAGES i-GLIDE 40m/min C4M4 66mm TREAD

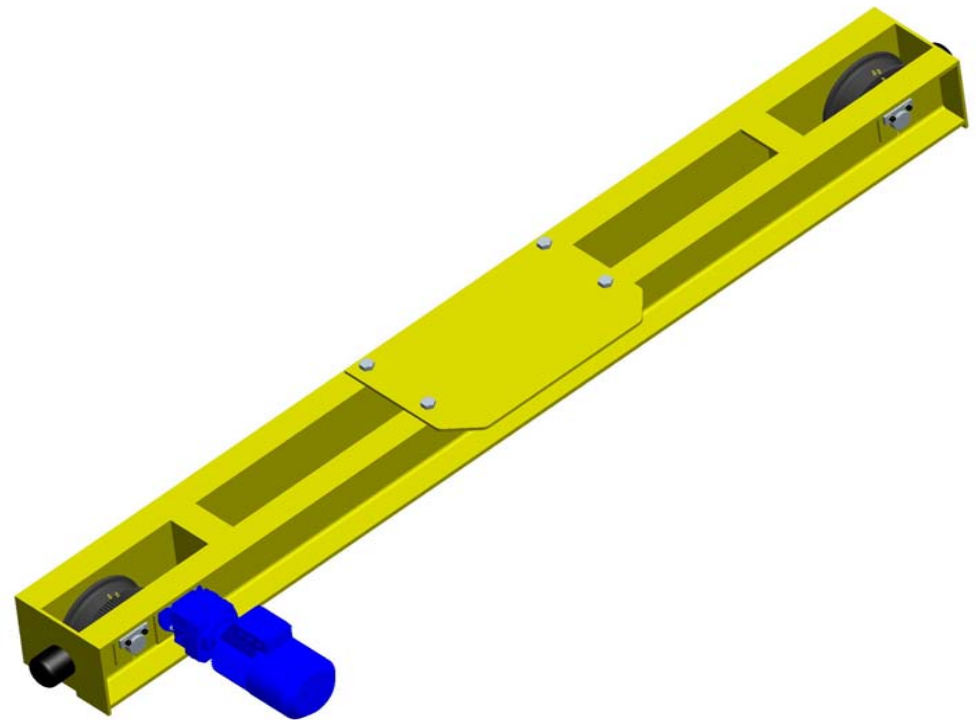
ETS15-ETS38 SUITS MAX RAIL HEAD = 50mm
ETS50 SUITS MAX RAIL HEAD = 75mm



t	SPAN (m)				
	6	7	8	9	10
1	ETS156-1-07.04-120-003I-20C	ETS156-1-07.04-120-003I-20C	ETS156-1-07.04-120-003I-20C	ETS156-1-07.04-120-003I-20C	ETS156-1-07.04-120-003I-20C
2	ETS156-1-07.04-120-003I-20C	ETS156-1-07.04-120-003I-20C	ETS156-1-07.04-120-003I-20C	ETS156-1-07.04-120-004I-20C	ETS156-1-07.04-120-004I-20C
3.2	ETS156-1-07.04-120-004I-20C	ETS156-1-07.04-120-004I-20C	ETS156-1-07.04-120-004I-20C	ETS156-1-07.04-120-004I-20C	ETS156-1-07.04-120-004I-20C
5	ETS206-1-07.04-120-006I-20C	ETS206-1-07.04-120-006I-20C	ETS206-1-07.04-120-006I-20C	ETS206-1-07.04-120-006I-20C	ETS206-1-07.04-120-006I-20C
6.3	ETS206-3-07.97-160-008I-21C	ETS206-3-07.97-160-008I-21C	ETS206-3-07.97-160-008I-21C	ETS206-3-07.97-160-008I-21C	ETS206-3-07.97-160-008I-21C
8	ETS206-3-07.97-160-008I-21C	ETS206-3-07.97-160-008I-21C	ETS206-3-07.97-160-011I-21C	ETS206-3-07.97-160-011I-21C	ETS206-3-07.97-160-011I-21C
10	ETS206-3-07.97-160-011I-26P	ETS206-3-07.97-160-011I-26P	ETS206-3-07.97-160-011I-26P	ETS206-3-07.97-160-011I-26P	ETS206-3-07.97-160-011I-26P
12.5	ETS256-3-07.97-160-015I-26C	ETS256-3-07.97-160-015I-26C	ETS256-3-07.97-160-015I-26C	ETS256-3-07.97-160-015I-26C	ETS256-3-07.97-160-015I-26C
16	ETS256-3-07.97-160-015I-29P	ETS256-3-07.97-160-015I-29P	ETS256-3-07.97-160-015I-29P	ETS256-3-07.97-160-015I-29P	ETS256-3-07.97-160-015I-29P
20	ETS306-4-10.15-160-022I-30P	ETS306-4-10.15-160-022I-30P	ETS306-4-10.15-160-022I-30P	ETS306-4-10.15-160-022I-30P	ETS306-4-10.15-160-022I-30P
25	ETS306-5-10.79-200-030I-32P	ETS306-5-10.79-200-030I-32P	ETS306-5-10.79-200-030I-32P	ETS306-5-10.79-200-030I-32P	ETS306-5-10.79-200-030I-32P
32	ETS386-6-12.70-200-030I-32P	ETS386-6-12.70-200-030I-32P	ETS386-6-12.70-200-030I-32P	ETS386-6-12.70-200-030I-32P	ETS386-6-12.70-200-030I-32P

MIN CLEARANCE BELOW RAIL HEAD - ETS15 = 30mm
ETS20 = 30mm
ETS25 = 35mm
ETS30 = 35mm
ETS38 = 40mm
ETS50 = 40mm

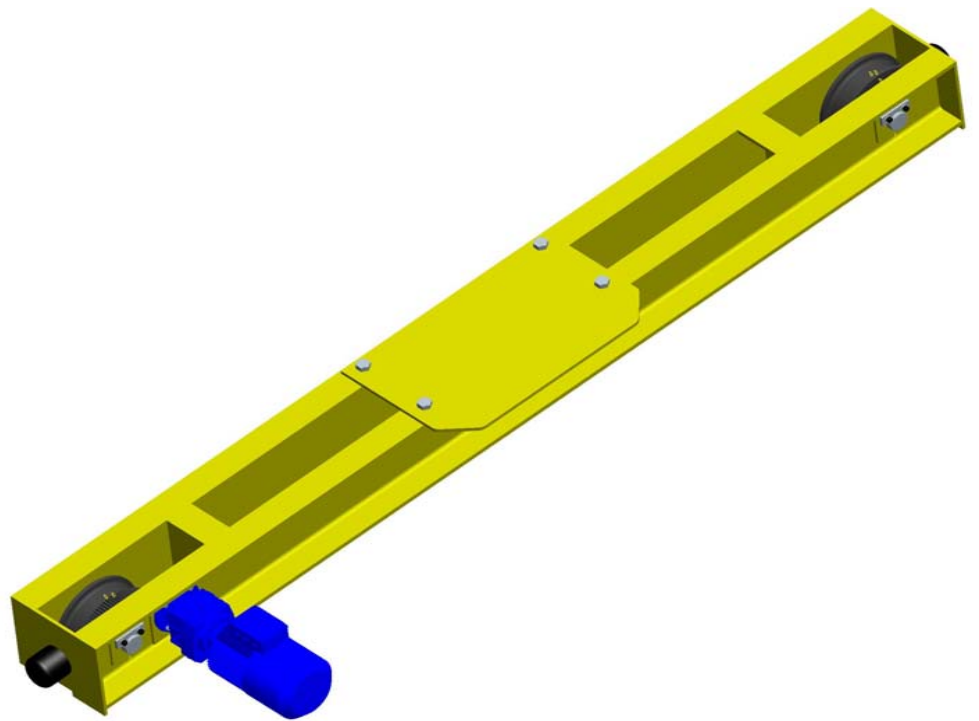
* NOTE: IF INSUFFICIENT CLEARANCE EXISTS BELOW RAIL HEAD PLEASE REFER TO OUR DWP WHEEL RANGE



t	SPAN (m)				
	11	12	13	14	15
1	ETS156-1-07.04-120-003I-20C	ETS156-1-07.04-120-003I-20C	ETS156-1-07.04-120-003I-20C	ETS156-1-07.04-120-003I-20C	ETS156-1-07.04-120-003I-22C
2	ETS156-1-07.04-120-004I-20C	ETS156-1-07.04-120-004I-20C	ETS156-1-07.04-120-004I-20C	ETS156-1-07.04-120-004I-20C	ETS156-1-07.04-120-004I-22C
3.2	ETS156-1-07.04-120-006I-20C	ETS156-1-07.04-120-006I-20C	ETS156-1-07.04-120-006I-20C	ETS156-1-07.04-120-006I-20C	ETS156-1-07.04-120-006I-22C
5	ETS206-1-07.04-120-006I-20C	ETS206-1-07.04-120-006I-20C	ETS206-1-07.04-120-006I-20C	ETS206-1-07.55-120-008I-20C	ETS206-1-07.55-120-008I-22C
6.3	ETS206-3-07.97-160-008I-21C	ETS206-3-07.97-160-008I-21C	ETS206-3-07.97-160-008I-21C	ETS206-3-07.97-160-008I-21C	ETS206-3-07.97-160-008I-22C
8	ETS206-3-07.97-160-011I-21C	ETS206-3-07.97-160-011I-21C	ETS206-3-07.97-160-011I-21C	ETS206-3-07.97-160-011I-21P	ETS206-3-07.97-160-011I-22P
10	ETS206-3-07.97-160-011I-26P	ETS206-3-07.97-160-011I-26P	ETS206-3-07.97-160-011I-26P	ETS206-3-07.97-160-011I-26P	ETS206-3-07.97-160-011I-26P
12.5	ETS256-3-07.97-160-015I-26C	ETS256-3-07.97-160-015I-26C	ETS256-3-07.97-160-015I-26C	ETS256-3-07.97-160-015I-26C	ETS256-3-07.97-160-015I-26C
16	ETS256-3-07.97-160-022I-29P	ETS256-3-07.97-160-022I-29P	ETS256-3-07.97-160-022I-29P	ETS256-3-07.97-160-022I-29P	ETS256-3-07.97-160-022I-29P
20	ETS306-5-10.79-200-022I-30P	ETS306-5-10.79-200-022I-30P	ETS306-5-10.79-200-022I-30P	ETS306-5-10.79-200-022I-30P	ETS306-5-10.79-200-022I-30P
25	ETS306-5-10.79-200-030I-32P	ETS306-5-10.79-200-030I-32P	ETS306-5-10.79-200-030I-32P	ETS306-5-10.79-200-030I-32P	ETS306-5-10.79-200-030I-32P
32	ETS386-6-12.70-200-030I-32P	ETS386-6-12.70-200-040I-32P	ETS386-6-12.70-200-040I-32P	ETS386-6-12.70-200-040I-32P	ETS386-6-12.70-200-040I-32P

MIN CLEARANCE BELOW RAIL HEAD - ETS15 = 30mm
ETS20 = 30mm
ETS25 = 35mm
ETS30 = 35mm
ETS38 = 40mm
ETS50 = 40mm

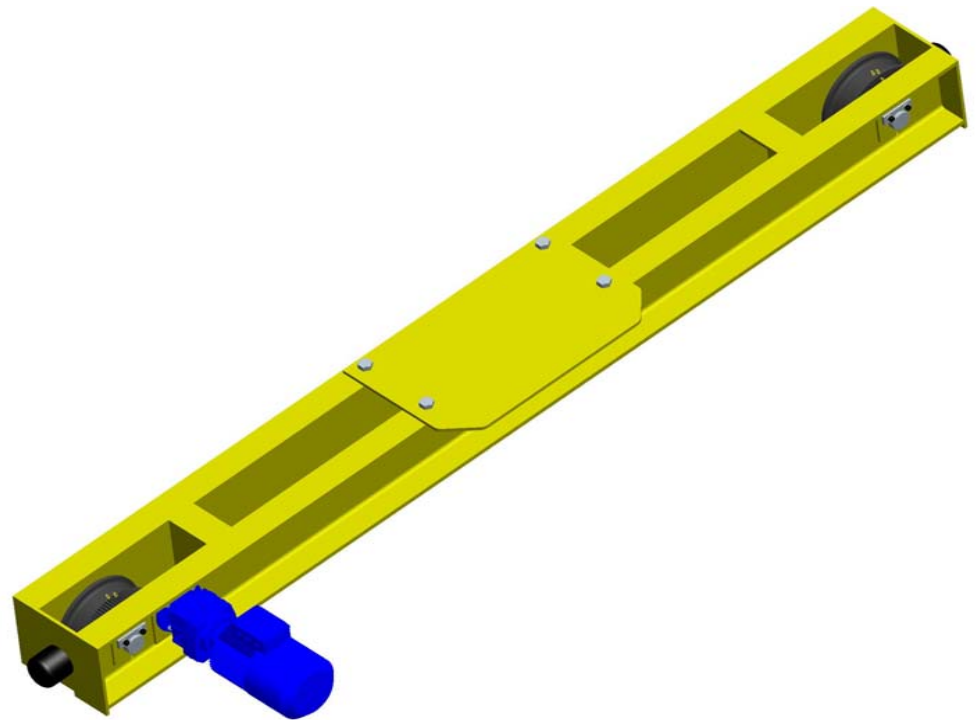
* NOTE: IF INSUFFICIENT CLEARANCE EXISTS BELOW RAIL HEAD PLEASE REFER TO OUR DWP WHEEL RANGE



t	SPAN (m)				
	16	17	18	19	20
1	ETS156-1-07.04-120-003I-23C	ETS156-1-07.04-120-003I-25C	ETS156-1-07.04-120-004I-26C	ETS156-1-07.04-120-004I-28C	ETS156-1-07.04-120-004I-29C
2	ETS156-1-07.04-120-004I-23C	ETS156-1-07.04-120-004I-25C	ETS156-1-07.04-120-004I-26C	ETS156-1-07.04-120-004I-28C	ETS156-1-07.04-120-006I-29C
3.2	ETS156-1-07.04-120-006I-23C	ETS156-1-07.04-120-006I-25C	ETS156-1-07.04-120-006I-26C	ETS206-1-07.04-120-006I-28C	ETS206-1-07.04-120-006I-29C
5	ETS206-1-07.55-120-008I-23C	ETS206-3-07.97-160-008I-25C	ETS206-3-07.97-160-008I-26C	ETS206-3-07.97-160-008I-28C	ETS206-3-07.97-160-008I-29C
6.3	ETS206-3-07.97-160-008I-23C	ETS206-3-07.97-160-008I-25C	ETS206-3-07.97-160-011I-26C	ETS206-3-07.97-160-011I-28C	ETS206-3-07.97-160-011I-29C
8	ETS206-3-07.97-160-011I-23P	ETS206-3-07.97-160-011I-25P	ETS206-3-07.97-160-011I-26P	ETS206-3-07.97-160-011I-28P	ETS206-3-07.97-160-011I-29P
10	ETS206-3-07.97-160-011I-26P	ETS206-3-07.97-160-011I-26P	ETS206-3-07.97-160-011I-26P	ETS256-3-07.97-160-015I-28C	ETS256-3-07.97-160-015I-29C
12.5	ETS256-3-07.97-160-015I-26C	ETS256-3-07.97-160-015I-26C	ETS256-3-07.97-160-015I-26C	ETS256-3-07.97-160-015I-28C	ETS256-3-07.97-160-015I-29C
16	ETS256-4-07.76-160-022I-29P	ETS256-4-07.76-160-022I-29P	ETS256-4-07.76-160-022I-29P	ETS256-4-07.76-160-022I-29P	ETS256-4-07.76-160-022I-29P
20	ETS306-5-10.79-200-022I-30P	ETS306-5-10.79-200-022I-30P	ETS306-5-10.79-200-022I-30P	ETS306-5-10.79-200-022I-30P	ETS306-5-10.79-200-022I-30P
25	ETS306-5-10.79-200-030I-32P	ETS306-5-10.79-200-030I-32P	ETS306-5-10.79-200-030I-32P	ETS306-5-10.79-200-030I-32P	ETS306-5-10.79-200-030I-32P
32	ETS386-6-12.70-200-040I-32P	ETS386-6-12.70-200-040I-32P	ETS386-6-12.70-200-040I-32P	ETS386-6-12.70-200-040I-32P	ETS386-6-12.70-200-040I-32P

MIN CLEARANCE BELOW RAIL HEAD - ETS15 = 30mm
ETS20 = 30mm
ETS25 = 35mm
ETS30 = 35mm
ETS38 = 40mm
ETS50 = 40mm

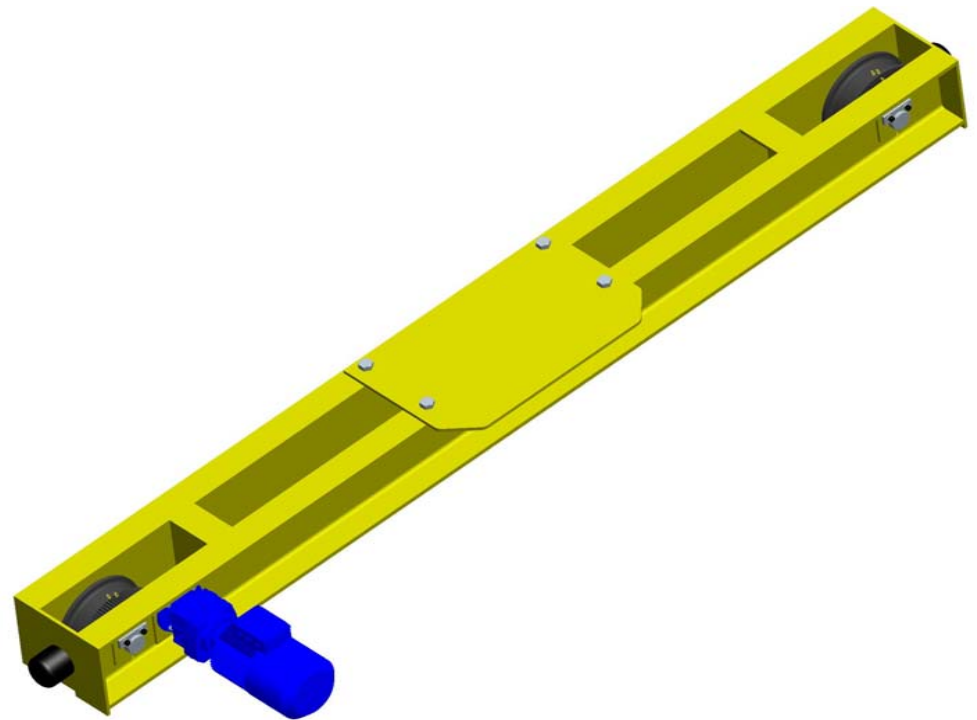
* NOTE: IF INSUFFICIENT CLEARANCE EXISTS BELOW RAIL HEAD PLEASE REFER TO OUR DWP WHEEL RANGE



t	SPAN (m)				
	21	22	23	24	25
1	ETS156-1-07.04-120-004I-30C	ETS156-1-07.04-120-004I-32C	ETS156-1-07.04-120-004I-33C	ETS156-1-07.04-120-006I-35P	ETS156-1-07.04-120-006I-36P
2	ETS156-1-07.04-120-006I-30C	ETS156-1-07.04-120-006I-32P	ETS156-1-07.04-120-006I-33P	ETS156-1-07.04-120-006I-35P	ETS156-1-07.04-120-006I-36P
3.2	ETS206-1-07.04-120-006I-30C	ETS206-1-07.55-120-008I-32C	ETS206-1-07.55-120-008I-33C	ETS206-3-07.97-160-008I-35C	ETS206-3-07.97-160-008I-36C
5	ETS206-3-07.97-160-008I-30C	ETS206-3-07.97-160-008I-32C	ETS206-3-07.97-160-008I-33C	ETS206-3-07.97-160-011I-35P	ETS206-3-07.97-160-011I-36P
6.3	ETS206-3-07.97-160-011I-30P	ETS206-3-07.97-160-011I-32P	ETS206-3-07.97-160-011I-33P	ETS206-3-07.97-160-011I-35P	ETS206-3-07.97-160-011I-36P
8	ETS206-3-07.97-160-011I-30P	ETS206-3-07.97-160-011I-32P	ETS206-3-07.97-160-011I-33P	ETS206-3-07.97-160-011I-35P	ETS256-3-07.97-160-015I-36C
10	ETS256-3-07.97-160-015I-30C	ETS256-3-07.97-160-015I-32C	ETS256-3-07.97-160-015I-33C	ETS256-3-07.97-160-015I-35C	ETS256-3-07.97-160-015I-36P
12.5	ETS256-3-07.97-160-015I-30C	ETS256-3-07.97-160-015I-32P	ETS256-3-07.97-160-015I-33P	ETS256-3-07.97-160-022I-35P	ETS256-3-07.97-160-022I-36P
16	ETS306-4-10.15-160-022I-30C	ETS306-4-10.15-160-022I-32P	ETS306-4-10.15-160-022I-33P	ETS306-5-10.79-200-022I-35P	ETS306-5-10.79-200-022I-36P
20	ETS306-5-10.79-200-022I-30P	ETS306-5-10.79-200-030I-32P	ETS306-5-10.79-200-030I-33P	ETS306-5-10.79-200-030I-35P	ETS306-5-10.79-200-030I-36P
25	ETS306-5-10.79-200-030I-32P	ETS306-5-10.79-200-030I-32P	ETS306-5-10.79-200-030I-33P	ETS386-6-12.70-200-030I-35P	ETS386-6-12.70-200-030I-36P
32	ETS386-6-12.70-200-040I-32P	ETS386-6-12.70-200-040I-32P	ETS386-6-12.70-200-040I-33P	ETS507-7-14.05-250-040I-35P	ETS507-7-14.05-250-040I-36P

MIN CLEARANCE BELOW RAIL HEAD - ETS15 = 30mm
ETS20 = 30mm
ETS25 = 35mm
ETS30 = 35mm
ETS38 = 40mm
ETS50 = 40mm

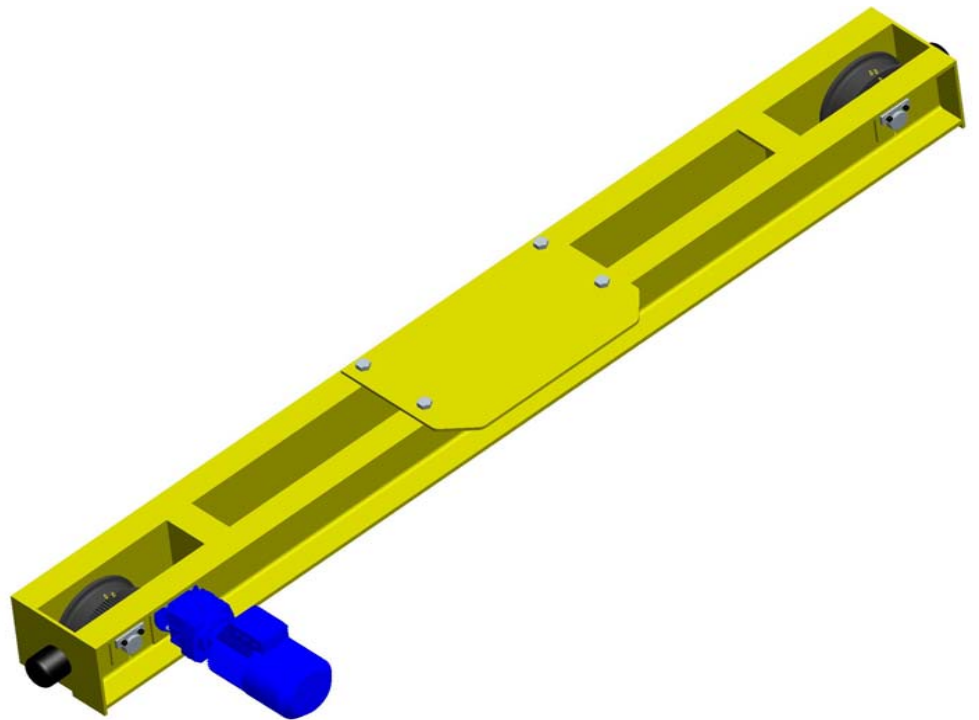
* NOTE: IF INSUFFICIENT CLEARANCE EXISTS BELOW RAIL HEAD PLEASE REFER TO OUR DWP WHEEL RANGE



t	SPAN (m)				
	26	27	28	29	30
1	ETS156-1-07.04-120-006I-38P	ETS156-1-07.04-120-006I-39P	ETS156-1-07.04-120-006I-40P	ETS156-1-07.04-120-006I-42P	ETS156-1-07.04-120-006I-43P
2	ETS156-1-07.04-120-006I-38P	ETS156-1-07.04-120-006I-39P	ETS156-1-07.04-120-008I-40P	ETS206-3-07.97-160-008I-42P	ETS206-3-07.97-160-008I-43P
3.2	ETS206-3-07.97-160-008I-38P	ETS206-3-07.97-160-008I-39P	ETS206-3-07.97-160-008I-40P	ETS206-3-07.97-160-011I-42P	ETS206-3-07.97-160-011I-43P
5	ETS206-3-07.97-160-011I-38P	ETS206-3-07.97-160-011I-39P	ETS206-3-07.97-160-011I-40P	ETS206-3-07.97-160-011I-42P	ETS206-3-07.97-160-011I-43P
6.3	ETS206-3-07.97-160-011I-38P	ETS206-3-07.97-160-011I-39P	ETS206-3-07.97-160-011I-40P	ETS206-3-07.97-160-011I-42P	ETS206-3-07.97-160-015I-43P
8	ETS256-3-07.97-160-015I-38C	ETS256-3-07.97-160-015I-39C	ETS256-3-07.97-160-015I-40P	ETS256-3-07.97-160-015I-42P	ETS256-3-07.97-160-015I-43P
10	ETS256-3-07.97-160-015I-38P	ETS256-3-07.97-160-015I-39P	ETS256-3-07.97-160-015I-40P	ETS256-3-07.97-160-015I-42P	ETS256-3-07.97-160-022I-43P
12.5	ETS256-4-07.76-160-022I-38P	ETS256-4-07.76-160-022I-39P	ETS256-4-07.76-160-022I-40P	ETS256-5-07.53-200-022I-42P	ETS256-5-07.53-200-022I-43P
16	ETS306-5-10.79-200-022I-38P	ETS306-5-10.79-200-022I-39P	ETS306-5-10.79-200-022I-40P	ETS306-5-10.79-200-022I-42P	ETS306-5-10.79-200-022I-43P
20	ETS306-5-10.79-200-030I-38P	ETS306-5-10.79-200-030I-39P	ETS306-5-10.79-200-030I-40P	ETS306-5-10.79-200-030I-42P	ETS306-5-10.79-200-030I-43P
25	ETS386-6-12.70-200-030I-38P	ETS386-6-12.70-200-040I-39P	ETS386-6-12.70-200-040I-40P	ETS386-6-12.70-200-040I-42P	ETS386-6-12.70-200-040I-43P
32	ETS507-7-14.05-250-040I-38P	ETS507-7-14.05-250-040I-39P	ETS507-7-14.05-250-040I-40P	ETS507-7-14.05-250-040I-42P	ETS507-7-14.05-250-040I-43P

MIN CLEARANCE BELOW RAIL HEAD - ETS15 = 30mm
ETS20 = 30mm
ETS25 = 35mm
ETS30 = 35mm
ETS38 = 40mm
ETS50 = 40mm

* NOTE: IF INSUFFICIENT CLEARANCE EXISTS BELOW RAIL HEAD PLEASE REFER TO OUR DWP WHEEL RANGE



t	SPAN (m)	
	31	32
1	ETS156-1-07.04-120-006I-45P	ETS156-1-07.04-120-008I-46P
2	ETS206-3-07.97-160-008I-45P	ETS206-3-07.97-160-008I-46P
3.2	ETS206-3-07.97-160-011I-45P	ETS206-3-07.97-160-011I-46P
5	ETS206-3-07.97-160-011I-45P	ETS256-3-07.97-160-011I-46P
6.3	ETS206-3-07.97-160-015I-45P	ETS256-3-07.97-160-015I-46P
8	ETS256-3-07.97-160-015I-45P	ETS256-3-07.97-160-015I-46P
10	ETS256-3-07.97-160-022I-45P	ETS256-4-07.76-160-022I-46P
12.5	ETS256-5-07.53-200-022I-45P	ETS256-5-07.53-200-022I-46P
16	ETS306-5-10.79-200-022I-45P	ETS306-5-10.79-200-030I-46P
20	ETS306-5-10.79-200-030I-45P	ETS306-5-10.79-200-030I-46P
25	ETS386-6-12.70-200-040I-45P	ETS386-6-12.70-200-040I-46P
32	ETS507-7-14.05-250-055I-45P	ETS507-7-14.05-250-055I-46P

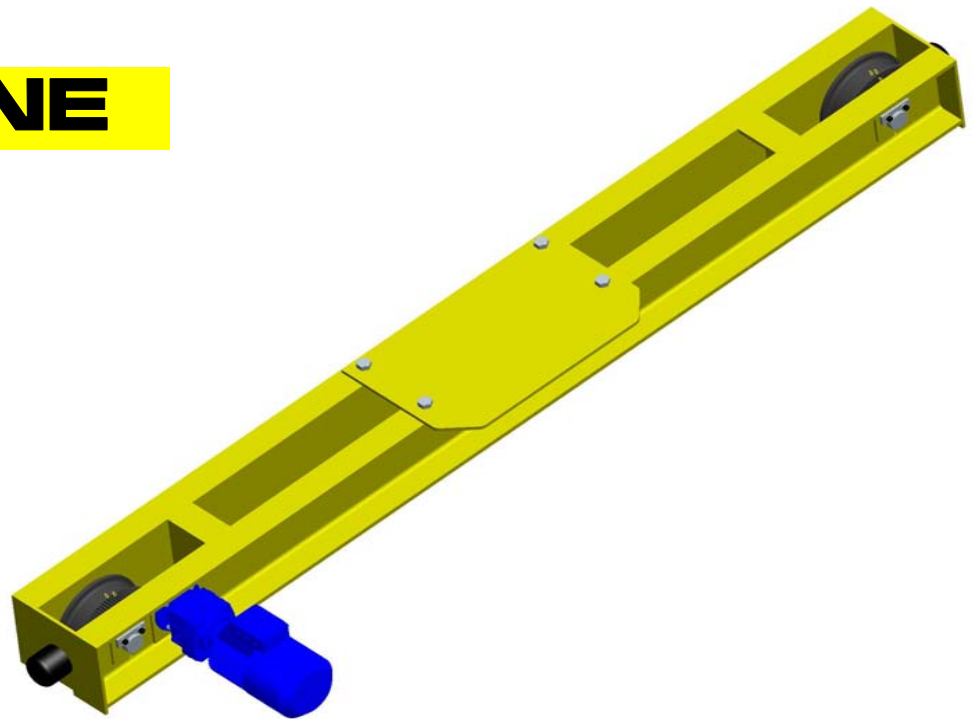
MIN CLEARANCE BELOW RAIL HEAD - ETS15 = 30mm
ETS20 = 30mm
ETS25 = 35mm
ETS30 = 35mm
ETS38 = 40mm
ETS50 = 40mm

* NOTE: IF INSUFFICIENT CLEARANCE EXISTS BELOW RAIL HEAD PLEASE REFER TO OUR DWP WHEEL RANGE
ISSUE 02/2008

JDN MONOCRANE

SG END CARRIAGES i-GLIDE 40m/min C4M4 76mm TREAD

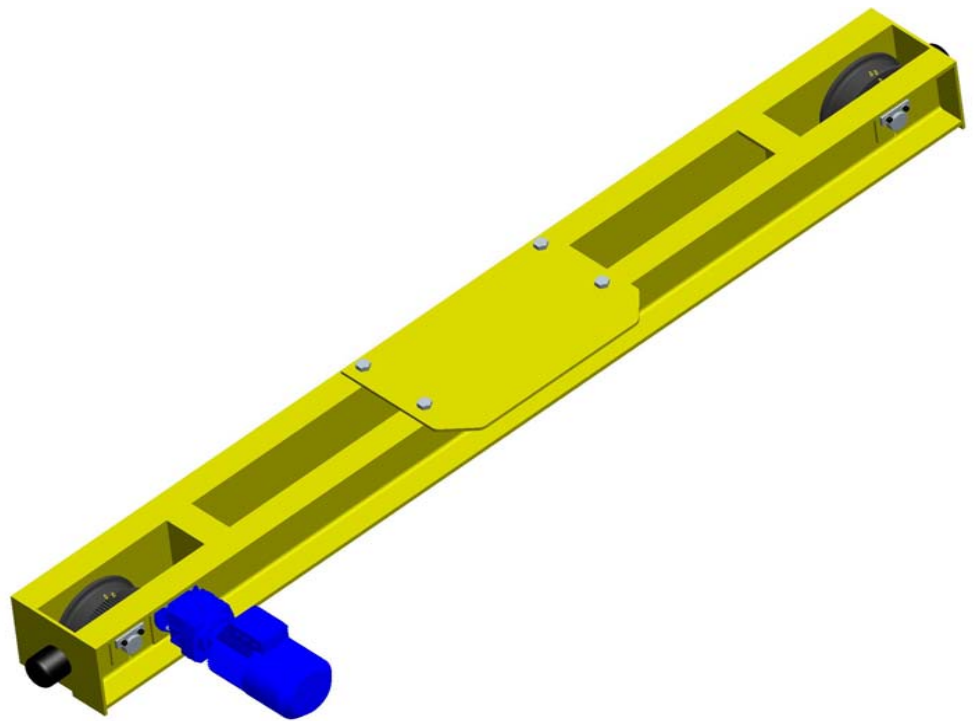
ETS20-ETS38 SUITS MAX RAIL HEAD = 63mm
ETS50 SUITS MAX RAIL HEAD = 75mm



t	SPAN (m)				
	6	7	8	9	10
1	N/A	N/A	N/A	N/A	N/A
2	N/A	N/A	N/A	N/A	N/A
3.2	N/A	N/A	N/A	N/A	N/A
5	ETS207-1-07.04-120-006I-20C	ETS207-1-07.04-120-006I-20C	ETS207-1-07.04-120-006I-20C	ETS207-1-07.04-120-006I-20C	ETS207-1-07.04-120-006I-20C
6.3	ETS207-3-07.97-160-008I-21C	ETS207-3-07.97-160-008I-21C	ETS207-3-07.97-160-008I-21C	ETS207-3-07.97-160-008I-21C	ETS207-3-07.97-160-008I-21C
8	ETS207-3-07.97-160-011I-21C	ETS207-3-07.97-160-011I-21C	ETS207-3-07.97-160-011I-21C	ETS207-3-07.97-160-011I-21C	ETS207-3-07.97-160-011I-21C
10	ETS207-3-07.97-160-011I-26P	ETS207-3-07.97-160-011I-26P	ETS207-3-07.97-160-011I-26P	ETS207-3-07.97-160-011I-26P	ETS207-3-07.97-160-011I-26P
12.5	ETS257-3-07.97-160-015I-26C	ETS257-3-07.97-160-015I-26C	ETS257-3-07.97-160-015I-26C	ETS257-3-07.97-160-015I-26C	ETS257-3-07.97-160-015I-26C
16	ETS257-3-07.97-160-015I-29P	ETS257-3-07.97-160-015I-29P	ETS257-3-07.97-160-015I-29P	ETS257-3-07.97-160-015I-29P	ETS257-3-07.97-160-015I-29P
20	ETS307-4-10.15-160-022I-30P	ETS307-4-10.15-160-022I-30P	ETS307-4-10.15-160-022I-30P	ETS307-4-10.15-160-022I-30P	ETS307-4-10.15-160-022I-30P
25	ETS307-5-10.79-200-030I-32P	ETS307-5-10.79-200-030I-32P	ETS307-5-10.79-200-030I-32P	ETS307-5-10.79-200-030I-32P	ETS307-5-10.79-200-030I-32P
32	ETS387-6-12.70-200-030I-32P	ETS387-6-12.70-200-030I-32P	ETS387-6-12.70-200-030I-32P	ETS387-6-12.70-200-030I-32P	ETS387-6-12.70-200-030I-32P

MIN CLEARANCE BELOW RAIL HEAD - ETS15 = 30mm
ETS20 = 30mm
ETS25 = 35mm
ETS30 = 35mm
ETS38 = 40mm
ETS50 = 40mm

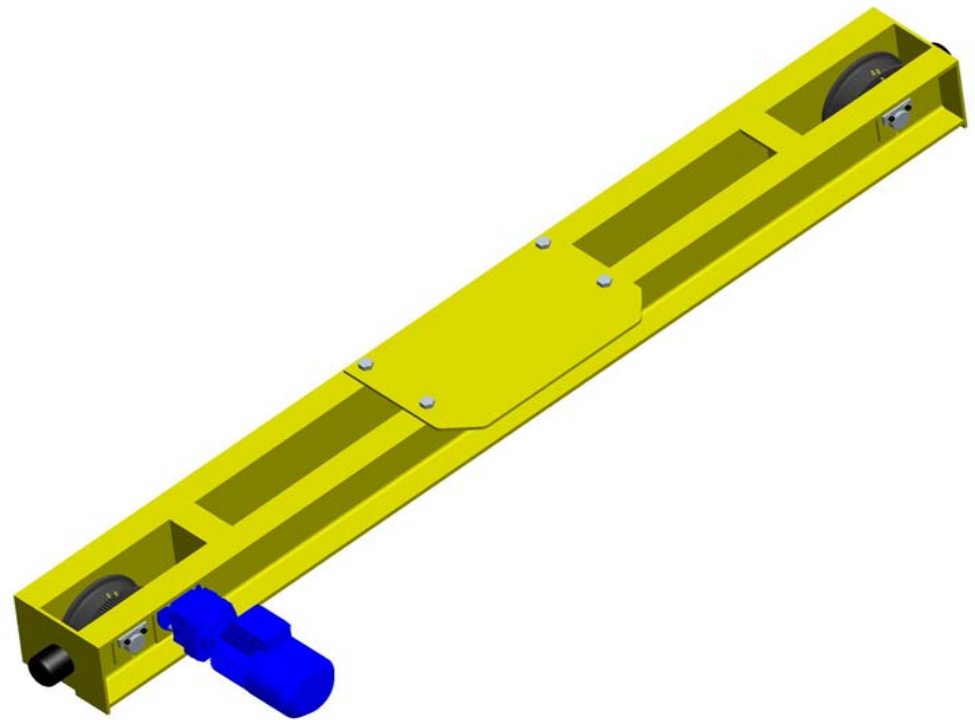
* NOTE: IF INSUFFICIENT CLEARANCE EXISTS BELOW RAIL HEAD PLEASE REFER TO OUR DWP WHEEL RANGE



t	SPAN (m)				
	11	12	13	14	15
1	N/A	N/A	N/A	N/A	N/A
2	N/A	N/A	N/A	N/A	N/A
3.2	N/A	N/A	N/A	N/A	N/A
5	ETS207-1-07.04-120-006I-20C	ETS207-1-07.04-120-006I-20C	ETS207-1-07.04-120-006I-20C	ETS207-1-07.55-120-008I-20C	ETS207-1-07.55-120-008I-22C
6.3	ETS207-3-07.97-160-008I-21C	ETS207-3-07.97-160-008I-21C	ETS207-3-07.97-160-008I-21C	ETS207-3-07.97-160-008I-21C	ETS207-3-07.97-160-008I-22C
8	ETS207-3-07.97-160-011I-21C	ETS207-3-07.97-160-011I-21C	ETS207-3-07.97-160-011I-21C	ETS207-3-07.97-160-011I-21P	ETS207-3-07.97-160-011I-22P
10	ETS207-3-07.97-160-011I-26P	ETS207-3-07.97-160-011I-26P	ETS207-3-07.97-160-011I-26P	ETS207-3-07.97-160-011I-26P	ETS207-3-07.97-160-011I-26P
12.5	ETS257-3-07.97-160-015I-26C	ETS257-3-07.97-160-015I-26C	ETS257-3-07.97-160-015I-26C	ETS257-3-07.97-160-015I-26C	ETS257-3-07.97-160-015I-26C
16	ETS257-3-07.97-160-022I-29P	ETS257-3-07.97-160-022I-29P	ETS257-3-07.97-160-022I-29P	ETS257-3-07.97-160-022I-29P	ETS257-3-07.97-160-022I-29P
20	ETS307-5-10.79-200-022I-30P	ETS307-5-10.79-200-022I-30P	ETS307-5-10.79-200-022I-30P	ETS307-5-10.79-200-022I-30P	ETS307-5-10.79-200-022I-30P
25	ETS307-5-10.79-200-030I-32P	ETS307-5-10.79-200-030I-32P	ETS307-5-10.79-200-030I-32P	ETS307-5-10.79-200-030I-32P	ETS307-5-10.79-200-030I-32P
32	ETS387-6-12.70-200-030I-32P	ETS387-6-12.70-200-040I-32P	ETS387-6-12.70-200-040I-32P	ETS387-6-12.70-200-040I-32P	ETS387-6-12.70-200-040I-32P

MIN CLEARANCE BELOW RAIL HEAD - ETS15 = 30mm
ETS20 = 30mm
ETS25 = 35mm
ETS30 = 35mm
ETS38 = 40mm
ETS50 = 40mm

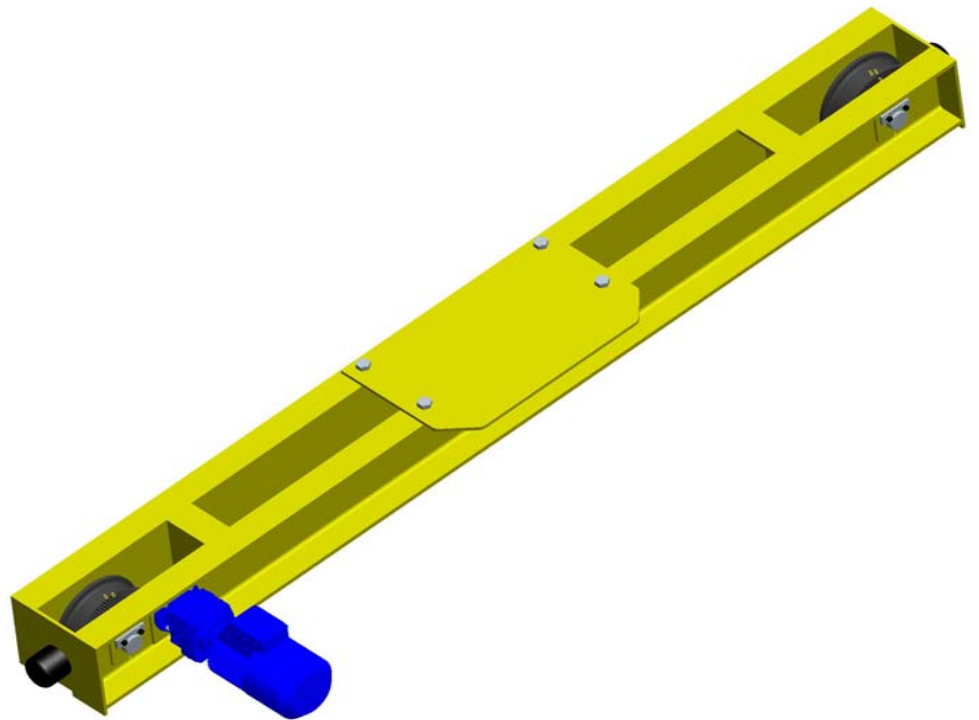
* NOTE: IF INSUFFICIENT CLEARANCE EXISTS BELOW RAIL HEAD PLEASE REFER TO OUR DWP WHEEL RANGE



t	SPAN (m)				
	16	17	18	19	20
1	N/A	N/A	N/A	N/A	N/A
2	N/A	N/A	N/A	N/A	N/A
3.2	N/A	N/A	N/A	ETS207-1-07.04-120-006I-28C	ETS207-1-07.04-120-006I-29C
5	ETS207-1-07.55-120-008I-23C	ETS207-3-07.97-160-008I-25C	ETS207-3-07.97-160-008I-26C	ETS207-3-07.97-160-008I-28C	ETS207-3-07.97-160-008I-29C
6.3	ETS207-3-07.97-160-008I-23C	ETS207-3-07.97-160-008I-25C	ETS207-3-07.97-160-011I-26C	ETS207-3-07.97-160-011I-28C	ETS207-3-07.97-160-011I-29C
8	ETS207-3-07.97-160-011I-23P	ETS207-3-07.97-160-011I-25P	ETS207-3-07.97-160-011I-26P	ETS207-3-07.97-160-011I-28P	ETS207-3-07.97-160-011I-29P
10	ETS207-3-07.97-160-011I-26P	ETS207-3-07.97-160-011I-26P	ETS207-3-07.97-160-011I-26P	ETS257-3-07.97-160-015I-28C	ETS257-3-07.97-160-015I-29C
12.5	ETS257-3-07.97-160-015I-26C	ETS257-3-07.97-160-015I-26C	ETS257-3-07.97-160-015I-26C	ETS257-3-07.97-160-015I-28C	ETS257-3-07.97-160-015I-29C
16	ETS257-4-07.76-160-022I-29P	ETS257-4-07.76-160-022I-29P	ETS257-4-07.76-160-022I-29P	ETS257-4-07.76-160-022I-29P	ETS257-4-07.76-160-022I-29P
20	ETS307-5-10.79-200-022I-30P	ETS307-5-10.79-200-022I-30P	ETS307-5-10.79-200-022I-30P	ETS307-5-10.79-200-022I-30P	ETS307-5-10.79-200-022I-30P
25	ETS307-5-10.79-200-030I-32P	ETS307-5-10.79-200-030I-32P	ETS307-5-10.79-200-030I-32P	ETS307-5-10.79-200-030I-32P	ETS307-5-10.79-200-030I-32P
32	ETS387-6-12.70-200-040I-32P	ETS387-6-12.70-200-040I-32P	ETS387-6-12.70-200-040I-32P	ETS387-6-12.70-200-040I-32P	ETS387-6-12.70-200-040I-32P

MIN CLEARANCE BELOW RAIL HEAD - ETS15 = 30mm
ETS20 = 30mm
ETS25 = 35mm
ETS30 = 35mm
ETS38 = 40mm
ETS50 = 40mm

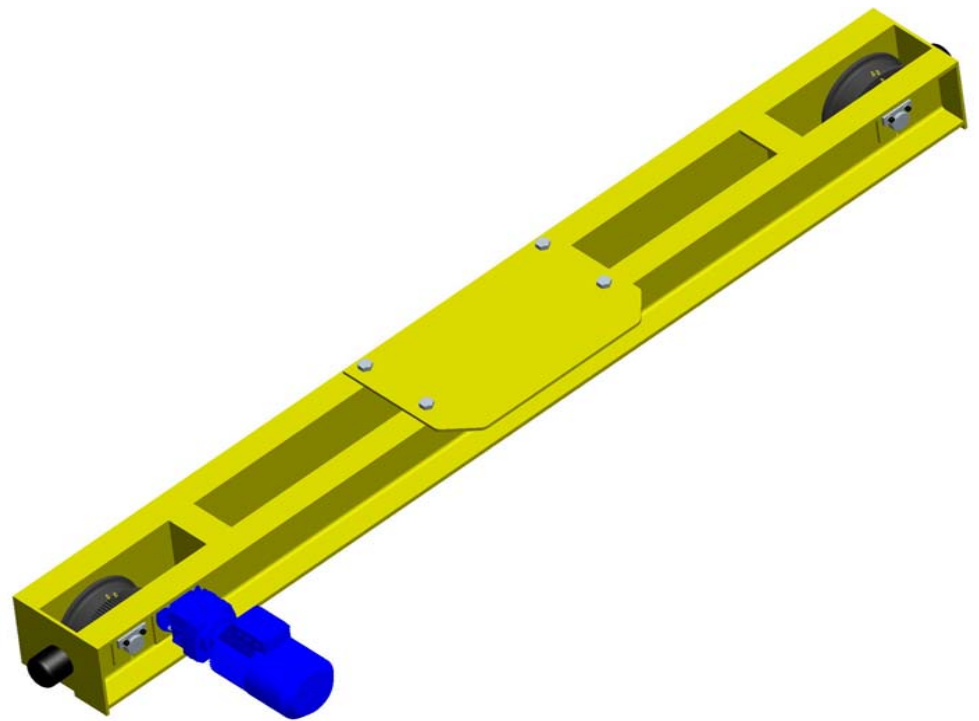
* NOTE: IF INSUFFICIENT CLEARANCE EXISTS BELOW RAIL HEAD PLEASE REFER TO OUR DWP WHEEL RANGE
ISSUE 02/2008



t	SPAN (m)				
	21	22	23	24	25
1	N/A	N/A	N/A	N/A	N/A
2	N/A	N/A	N/A	N/A	N/A
3.2	ETS207-1-07.04-120-006I-30C	ETS207-1-07.55-120-008I-32C	ETS207-1-07.55-120-008I-33C	ETS207-3-07.97-160-008I-35C	ETS207-3-07.97-160-008I-36C
5	ETS207-3-07.97-160-008I-30C	ETS207-3-07.97-160-008I-32C	ETS207-3-07.97-160-008I-33C	ETS207-3-07.97-160-011I-35P	ETS207-3-07.97-160-011I-36P
6.3	ETS207-3-07.97-160-011I-30P	ETS207-3-07.97-160-011I-32P	ETS207-3-07.97-160-011I-33P	ETS207-3-07.97-160-011I-35P	ETS207-3-07.97-160-011I-36P
8	ETS207-3-07.97-160-011I-30P	ETS207-3-07.97-160-011I-32P	ETS207-3-07.97-160-011I-33P	ETS207-3-07.97-160-011I-35P	ETS257-3-07.97-160-015I-36C
10	ETS257-3-07.97-160-015I-30C	ETS257-3-07.97-160-015I-32C	ETS257-3-07.97-160-015I-33C	ETS257-3-07.97-160-015I-35C	ETS257-3-07.97-160-015I-36P
12.5	ETS257-3-07.97-160-015I-30C	ETS257-3-07.97-160-015I-32P	ETS257-3-07.97-160-015I-33P	ETS257-3-07.97-160-022I-35P	ETS257-3-07.97-160-022I-36P
16	ETS307-4-10.15-160-022I-30C	ETS307-4-10.15-160-022I-32P	ETS307-4-10.15-160-022I-33P	ETS307-5-10.79-200-022I-35P	ETS307-5-10.79-200-022I-36P
20	ETS307-5-10.79-200-022I-30P	ETS307-5-10.79-200-030I-32P	ETS307-5-10.79-200-030I-33P	ETS307-5-10.79-200-030I-35P	ETS307-5-10.79-200-030I-36P
25	ETS307-5-10.79-200-030I-32P	ETS307-5-10.79-200-030I-32P	ETS307-5-10.79-200-030I-33P	ETS387-6-12.70-200-030I-35P	ETS387-6-12.70-200-030I-36P
32	ETS387-6-12.70-200-040I-32P	ETS387-6-12.70-200-040I-32P	ETS387-6-12.70-200-040I-33P	ETS509-7-14.05-250-040I-35P	ETS509-7-14.05-250-040I-36P

MIN CLEARANCE BELOW RAIL HEAD - ETS15 = 30mm
ETS20 = 30mm
ETS25 = 35mm
ETS30 = 35mm
ETS38 = 40mm
ETS50 = 40mm

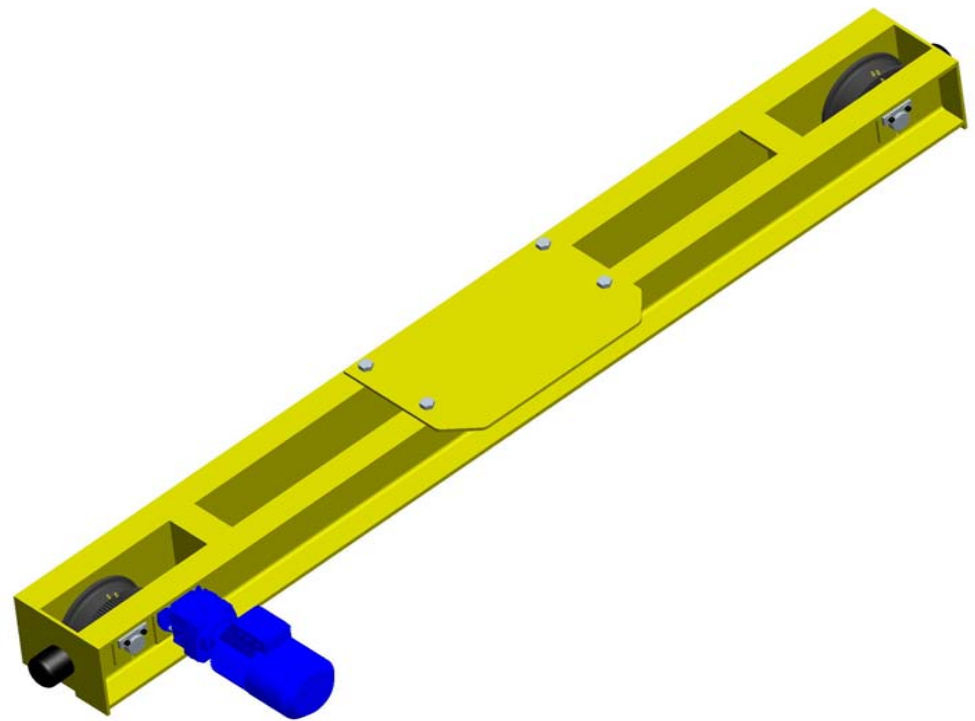
* NOTE: IF INSUFFICIENT CLEARANCE EXISTS BELOW RAIL HEAD PLEASE REFER TO OUR DWP WHEEL RANGE
ISSUE 02/2008



t	SPAN (m)				
	26	27	28	29	30
1	N/A	N/A	N/A	N/A	N/A
2	N/A	N/A	N/A	ETS207-3-07.97-160-008I-42P	ETS207-3-07.97-160-008I-43P
3.2	ETS207-3-07.97-160-008I-38P	ETS207-3-07.97-160-008I-39P	ETS207-3-07.97-160-008I-40P	ETS207-3-07.97-160-011I-42P	ETS207-3-07.97-160-011I-43P
5	ETS207-3-07.97-160-011I-38P	ETS207-3-07.97-160-011I-39P	ETS207-3-07.97-160-011I-40P	ETS207-3-07.97-160-011I-42P	ETS207-3-07.97-160-011I-43P
6.3	ETS207-3-07.97-160-011I-38P	ETS207-3-07.97-160-011I-39P	ETS207-3-07.97-160-011I-40P	ETS207-3-07.97-160-011I-42P	ETS207-3-07.97-160-015I-43P
8	ETS257-3-07.97-160-015I-38C	ETS257-3-07.97-160-015I-39C	ETS257-3-07.97-160-015I-40P	ETS257-3-07.97-160-015I-42P	ETS257-3-07.97-160-015I-43P
10	ETS257-3-07.97-160-015I-38P	ETS257-3-07.97-160-015I-39P	ETS257-3-07.97-160-015I-40P	ETS257-3-07.97-160-015I-42P	ETS257-3-07.97-160-022I-43P
12.5	ETS257-4-07.76-160-022I-38P	ETS257-4-07.76-160-022I-39P	ETS257-4-07.76-160-022I-40P	ETS257-5-07.53-200-022I-42P	ETS257-5-07.53-200-022I-43P
16	ETS307-5-10.79-200-022I-38P	ETS307-5-10.79-200-022I-39P	ETS307-5-10.79-200-022I-40P	ETS307-5-10.79-200-022I-42P	ETS307-5-10.79-200-022I-43P
20	ETS307-5-10.79-200-030I-38P	ETS307-5-10.79-200-030I-39P	ETS307-5-10.79-200-030I-40P	ETS307-5-10.79-200-030I-42P	ETS307-5-10.79-200-030I-43P
25	ETS387-6-12.70-200-030I-38P	ETS387-6-12.70-200-040I-39P	ETS387-6-12.70-200-040I-40P	ETS387-6-12.70-200-040I-42P	ETS387-6-12.70-200-040I-43P
32	ETS509-7-14.05-250-040I-38P	ETS509-7-14.05-250-040I-39P	ETS509-7-14.05-250-040I-40P	ETS509-7-14.05-250-040I-42P	ETS509-7-14.05-250-040I-43P

MIN CLEARANCE BELOW RAIL HEAD - ETS15 = 30mm
ETS20 = 30mm
ETS25 = 35mm
ETS30 = 35mm
ETS38 = 40mm
ETS50 = 40mm

* NOTE: IF INSUFFICIENT CLEARANCE EXISTS BELOW RAIL HEAD PLEASE REFER TO OUR DWP WHEEL RANGE



t	SPAN (m)	
	31	32
1	N/A	N/A
2	ETS207-3-07.97-160-008I-45P	ETS207-3-07.97-160-008I-46P
3.2	ETS207-3-07.97-160-011I-45P	ETS207-3-07.97-160-011I-46P
5	ETS207-3-07.97-160-011I-45P	ETS257-3-07.97-160-011I-46P
6.3	ETS207-3-07.97-160-015I-45P	ETS257-3-07.97-160-015I-46P
8	ETS257-3-07.97-160-015I-45P	ETS257-3-07.97-160-015I-46P
10	ETS257-3-07.97-160-022I-45P	ETS257-4-07.76-160-022I-46P
12.5	ETS257-5-07.53-200-022I-45P	ETS257-5-07.53-200-022I-46P
16	ETS307-5-10.79-200-022I-45P	ETS307-5-10.79-200-030I-46P
20	ETS307-5-10.79-200-030I-45P	ETS307-5-10.79-200-030I-46P
25	ETS387-6-12.70-200-040I-45P	ETS387-6-12.70-200-040I-46P
32	ETS509-7-14.05-250-055I-45P	ETS509-7-14.05-250-055I-46P

MIN CLEARANCE BELOW RAIL HEAD - ETS15 = 30mm
ETS20 = 30mm
ETS25 = 35mm
ETS30 = 35mm
ETS38 = 40mm
ETS50 = 40mm

* NOTE: IF INSUFFICIENT CLEARANCE EXISTS BELOW RAIL HEAD PLEASE REFER TO OUR DWP WHEEL RANGE
ISSUE 02/2008