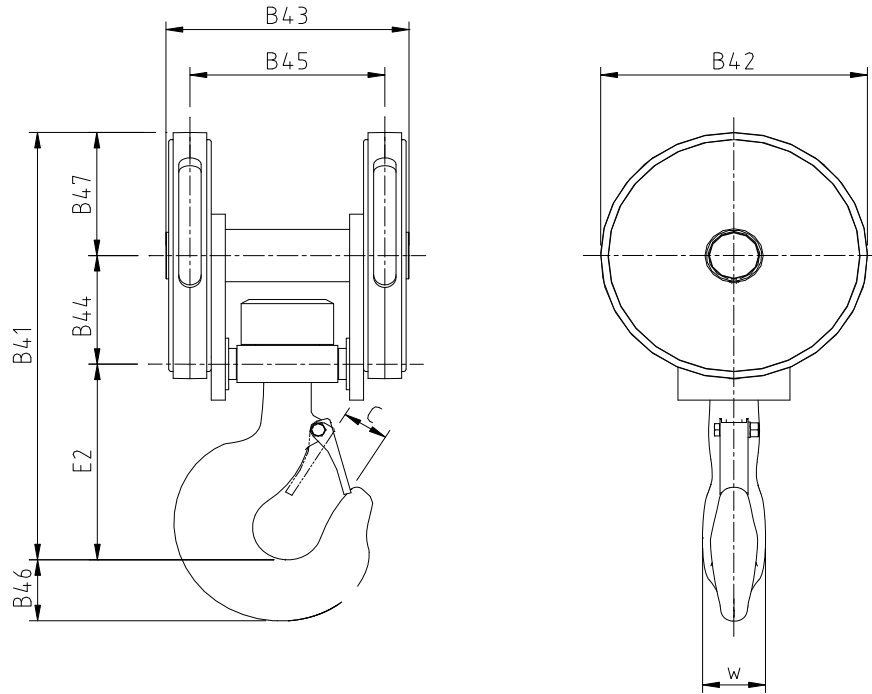




# JDN MONOCRANE

## FOUR FALL HOOK BLOCK

**JDN MONOCRANE** four fall hook block range features a pivoting trunnion and slewing hook to DIN/ISO Standards, as well as **JDN MONOCRANE** "S" series sheaves with shielded ball bearings to provide optimum performance and wear characteristics. All hooks are fitted with a spring loaded safety catch as standard.



PART No	MRC kg	B41	B42	B43	B44	B45	B46	B47	C	E2	W	MAX ROPE
HB10052400X	2000	312	139	139	85	101	41	69	32	158	32	5
HB20072400X	5000	358	192	184	90	142	56	96	35	172	38	8
HB30092400X	8000	411	242	211	100	161	59	121	40	190	45	11
HB40112400X	12500	483	298	252	120	193	68	149	45	214	53	13
HB50142400X	20000	564	370	305	140	241	76	185	54	239	60	16
HB70182400X	32000	720	476	347	165	270	96	238	66	317	75	18
HB80222400X	50000	828	476	434	210	348	119	238	83	380	95	22

\* All dimensions in mm and subject to change without notice.